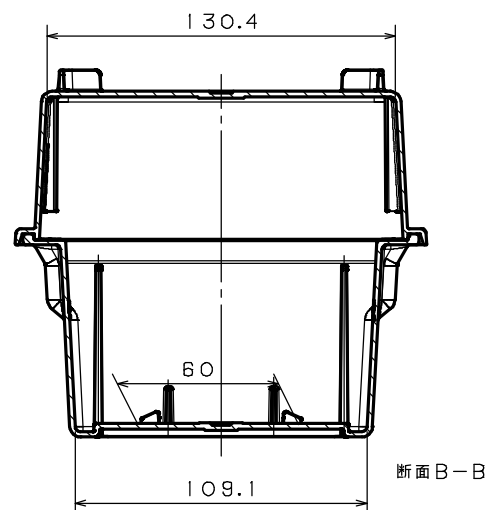
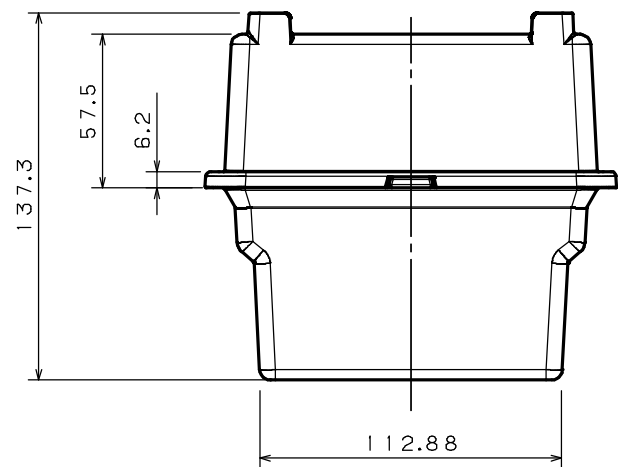
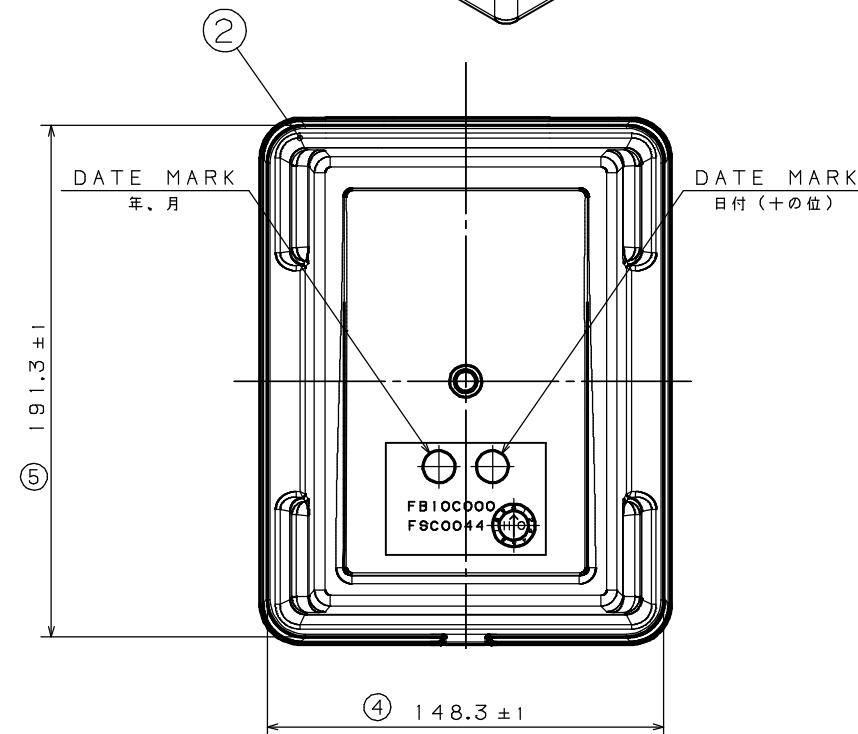
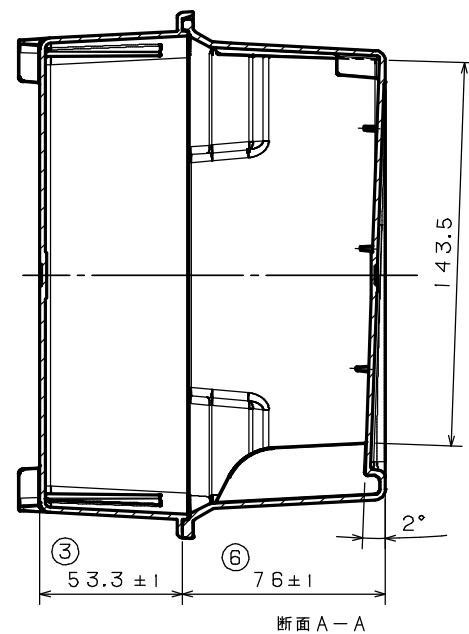
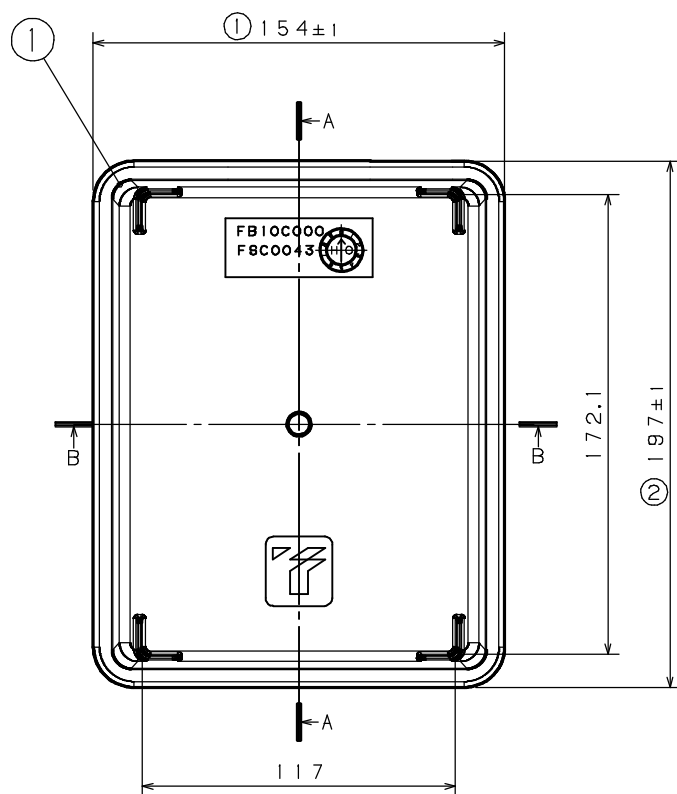
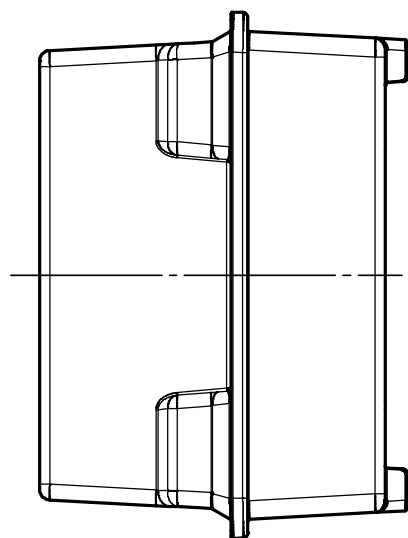
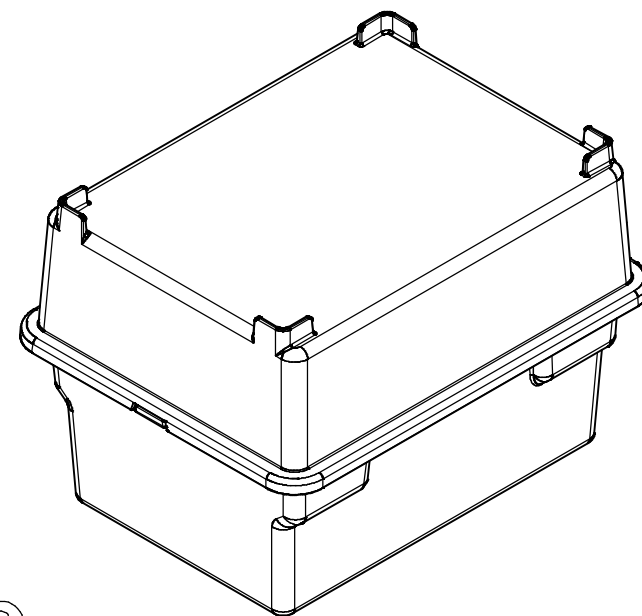
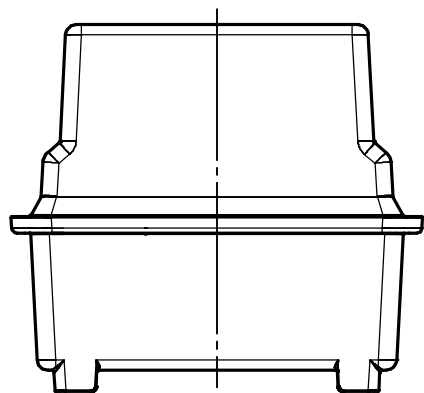


ITEM	COMPOSITION	MATERIAL	COLOR	REMARKS	ASSY NO G04
1	4 INCH CASE COVER	e-mateX FB-0220	BLUE		1
2	4 INCH CASE BODY	e-mateX FB-0220	BLUE		1



図面に記載されてある各寸法は、お客様の内部確認として利用して下さい。
EACH DIMENSION THAT IS MENTIONED ON A DRAWING SHOULD BE UTILIZED AS A CUSTOMER'S INTERNAL CONFIRMATION.

PRODUCT NUMBER	PRODUCT NAME
FB10C000	4 INCH CASE ASSY
3RD ANGLE PROJECTION	SCALE
	1/2
DRAWING NUMBER	
FSZ0023G04	