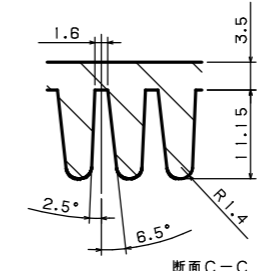
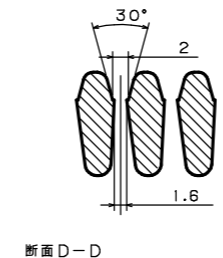
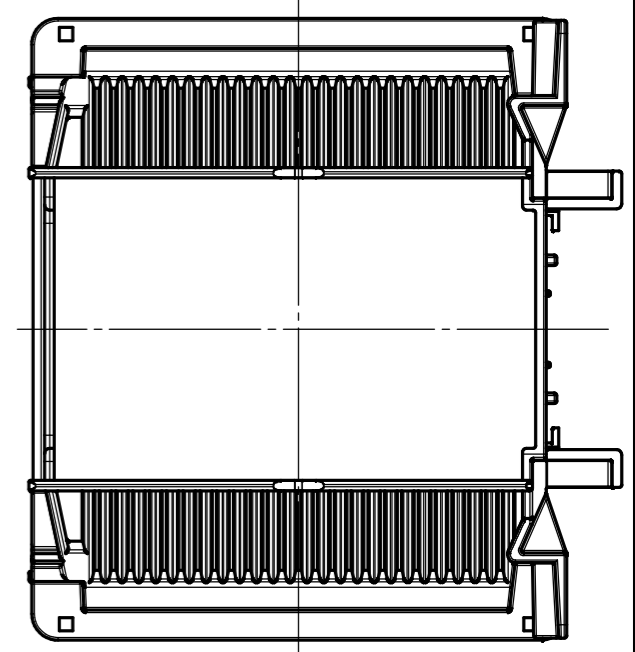
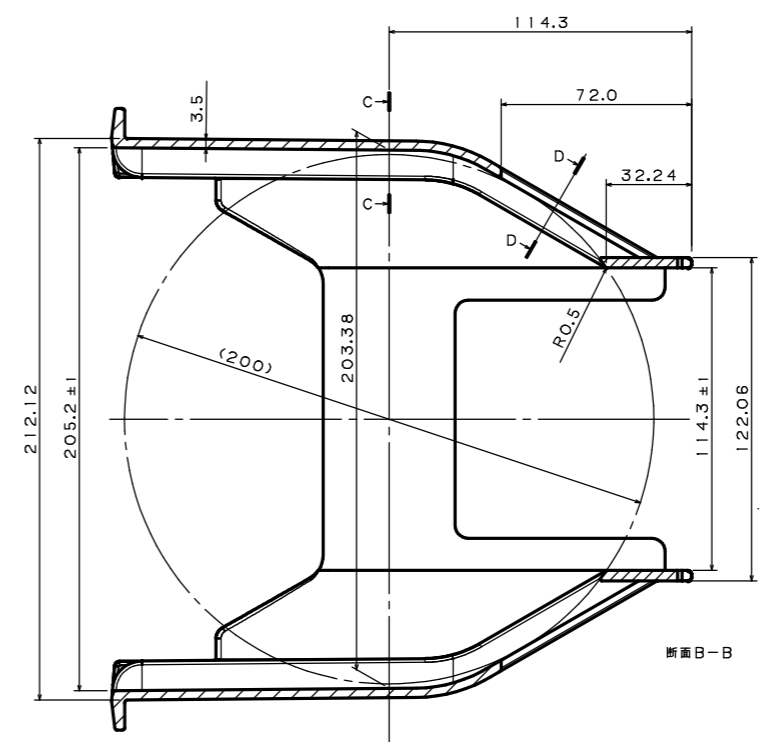
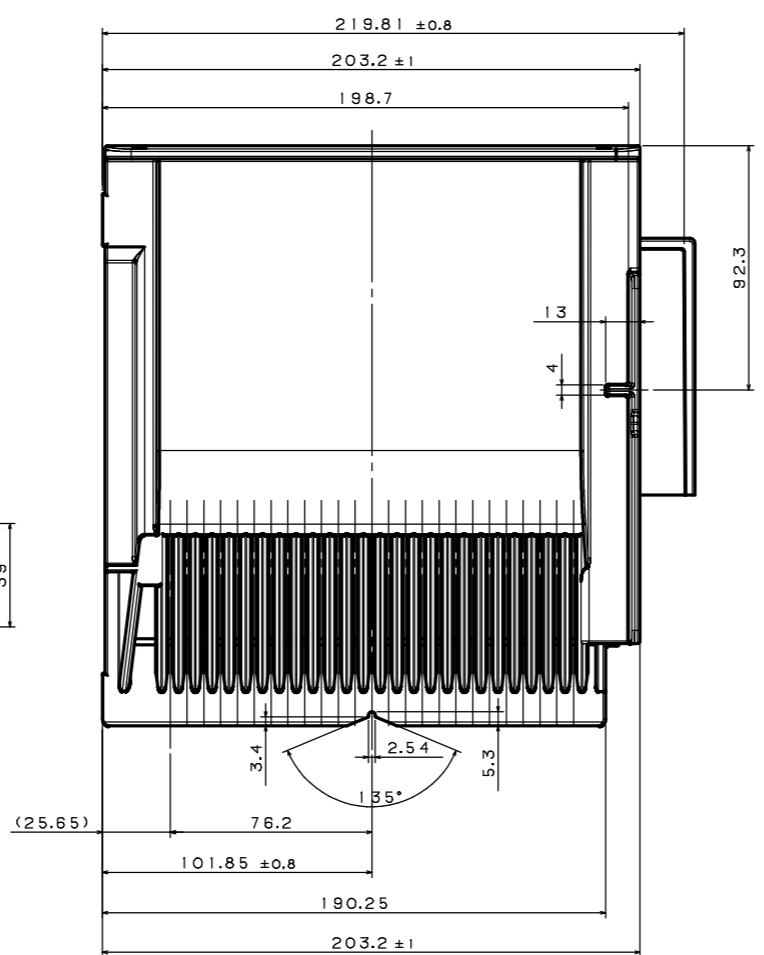
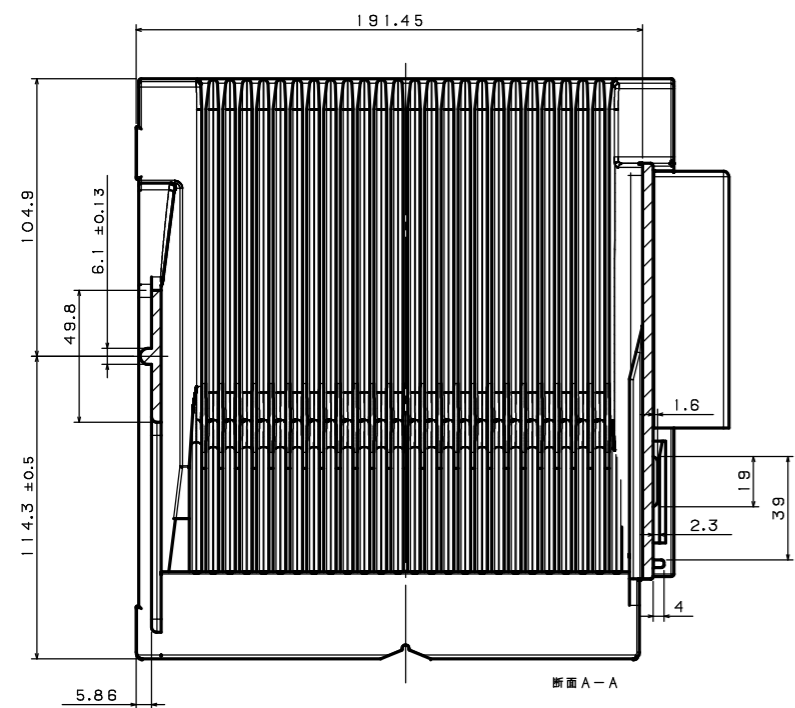
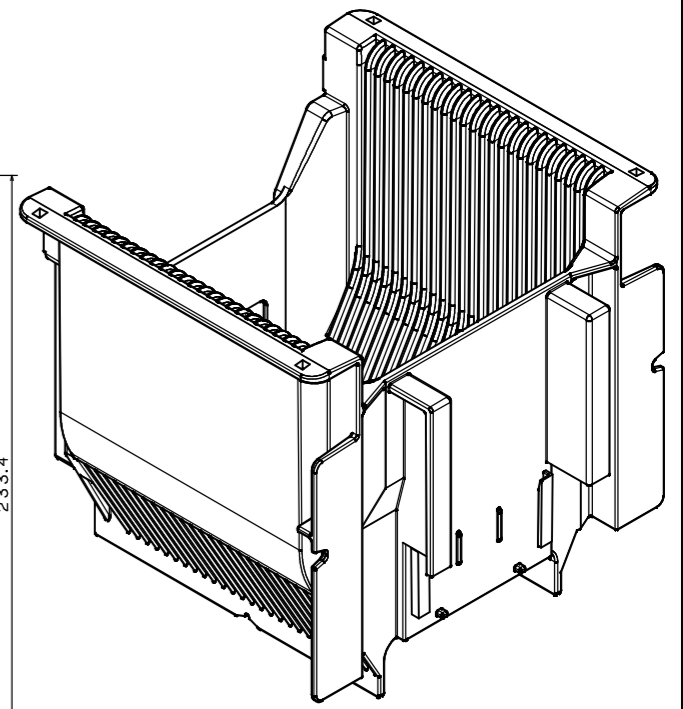
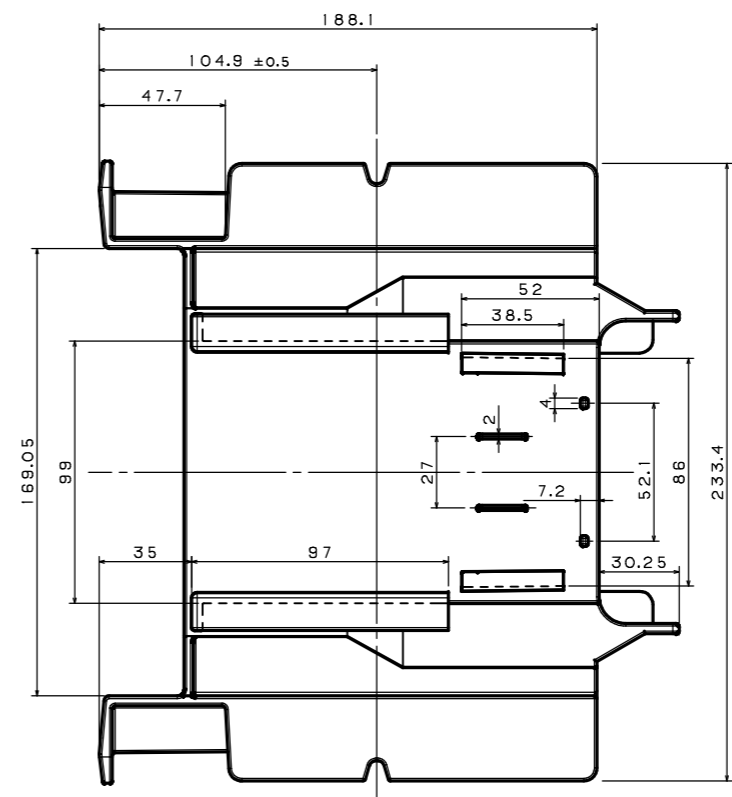
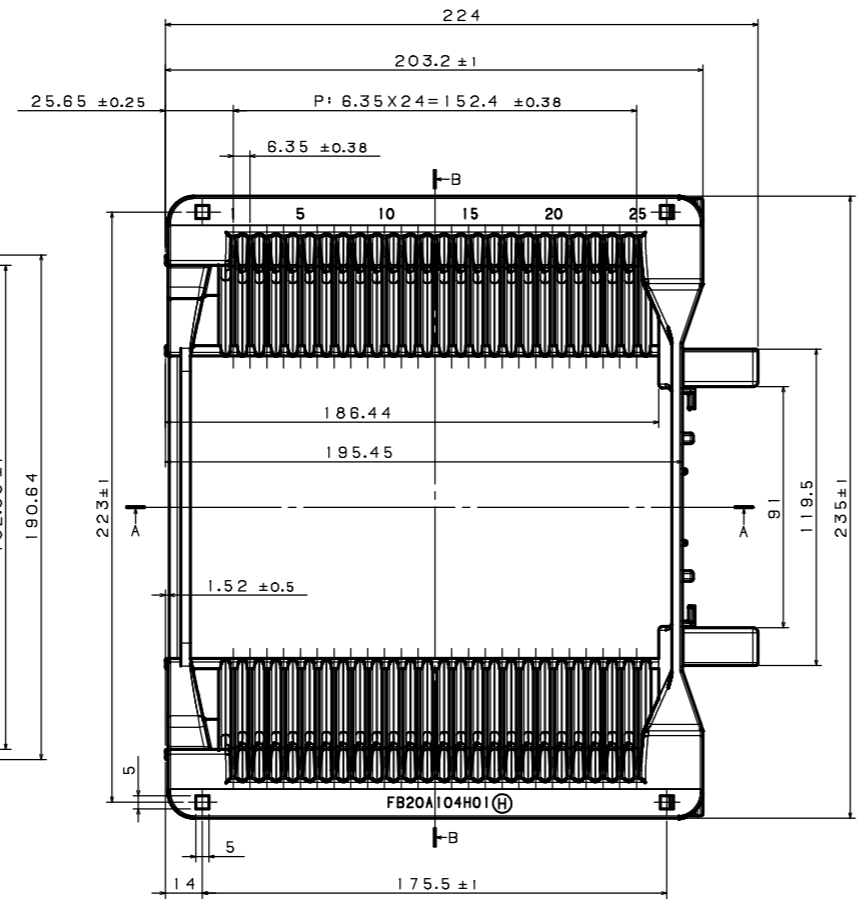
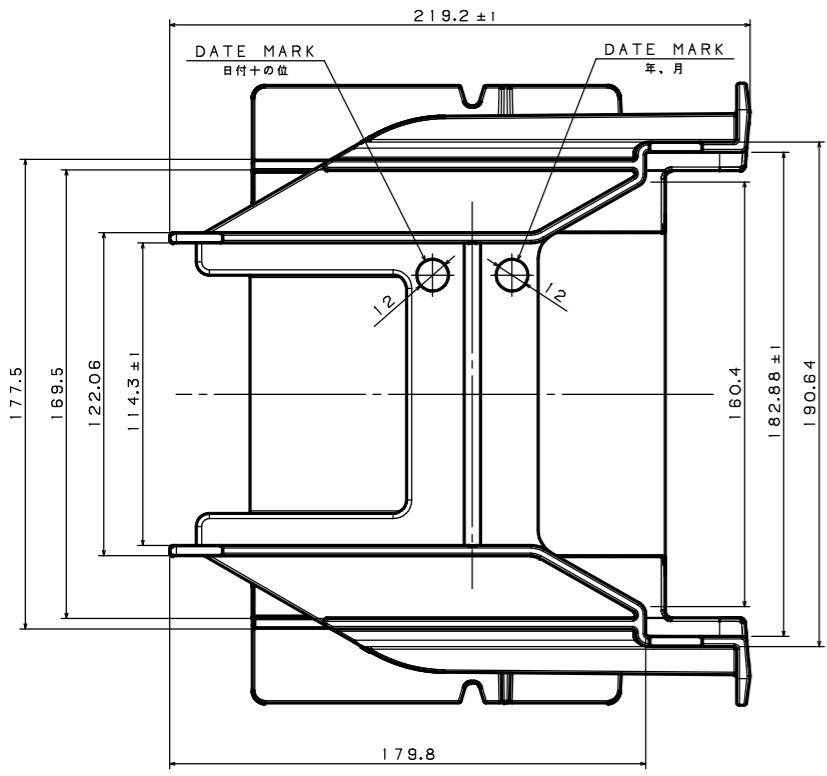


ITEM	MATERIAL	COLOR	REMARKS
1	e-mateX FB-0432	BLACK	



図面に記載されてある各寸法は、お客様の内部確認として利用して下さい。  
EACH DIMENSION THAT IS MENTIONED ON A DRAWING SHOULD BE UTILIZED AS A CUSTOMER'S INTERNAL CONFIRMATION.

MODEL	PRODUCT NAME
FB20A104	BINCH CARRIER
SCALE	1/1
PROJECTION	AO
F9Z0018H01	