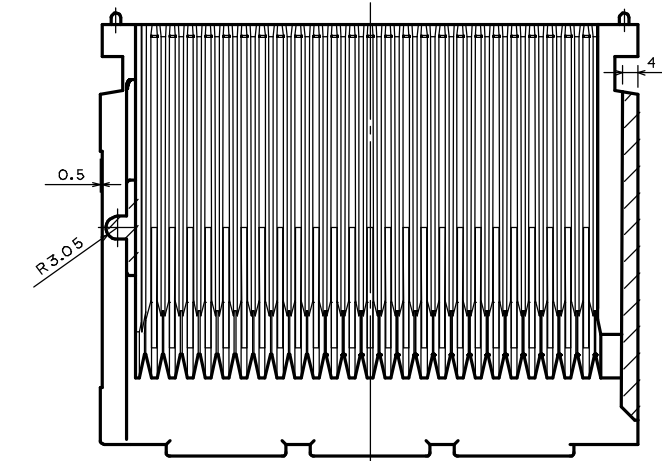
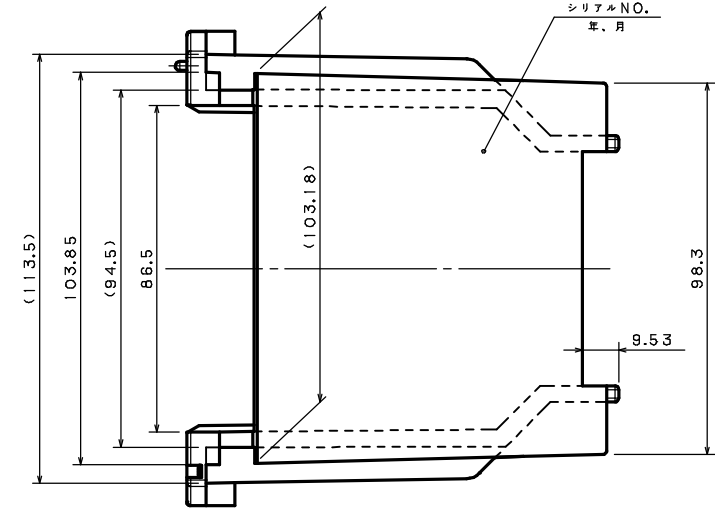
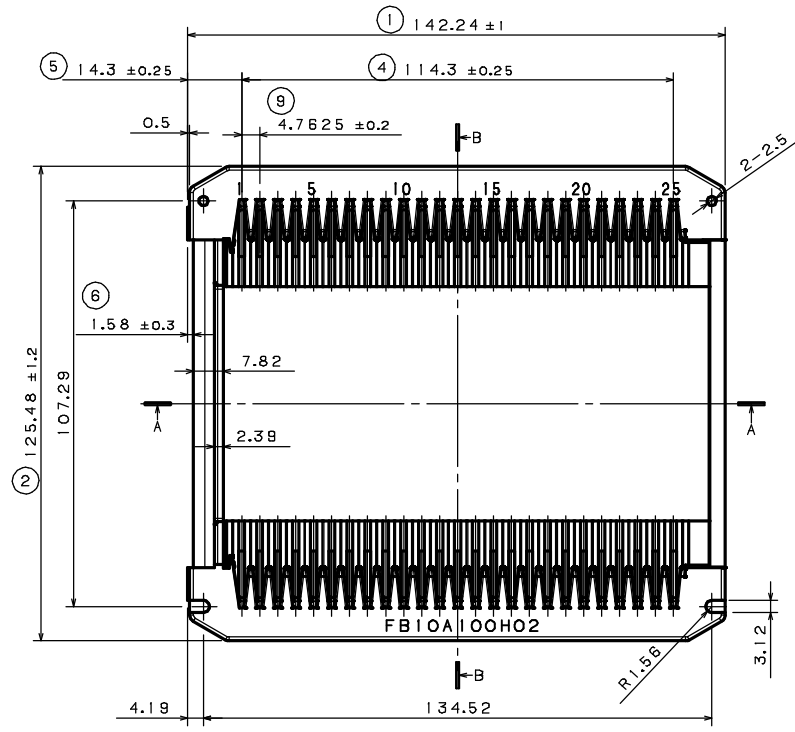
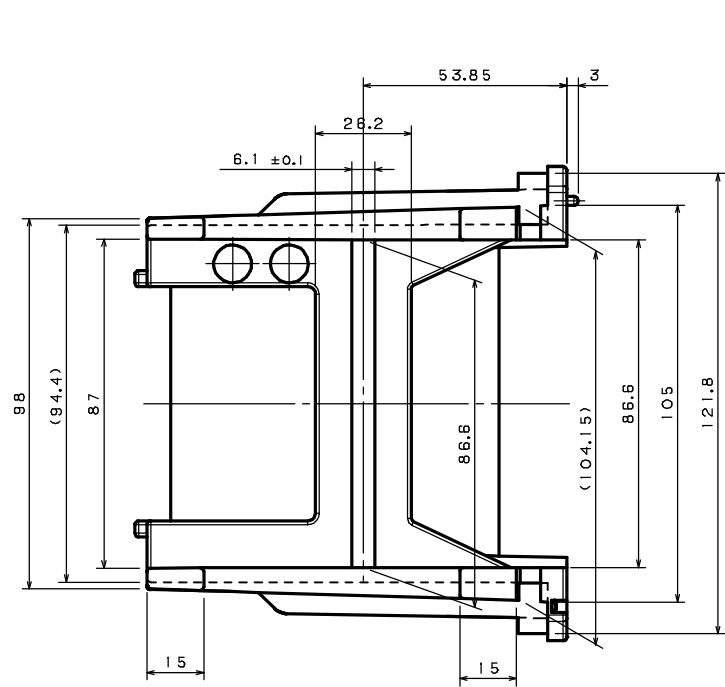
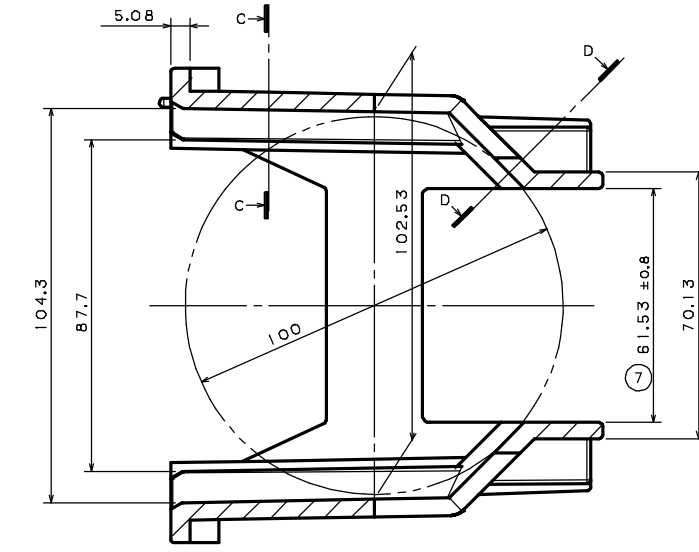
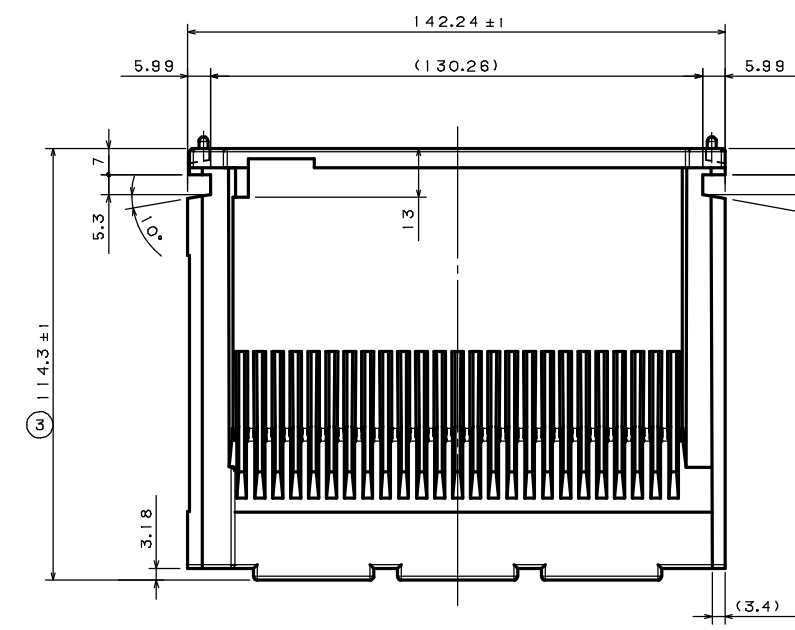


ITEM	MATERIAL	COLOR	REMARKS	ASSY NO
H02	e-mateX FB-0431	BLACK	ハンドル無し	

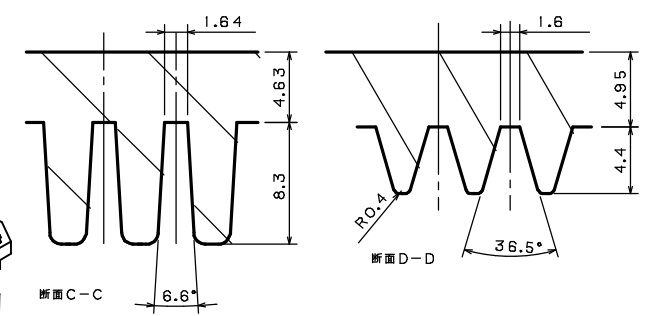
H02



断面A-A

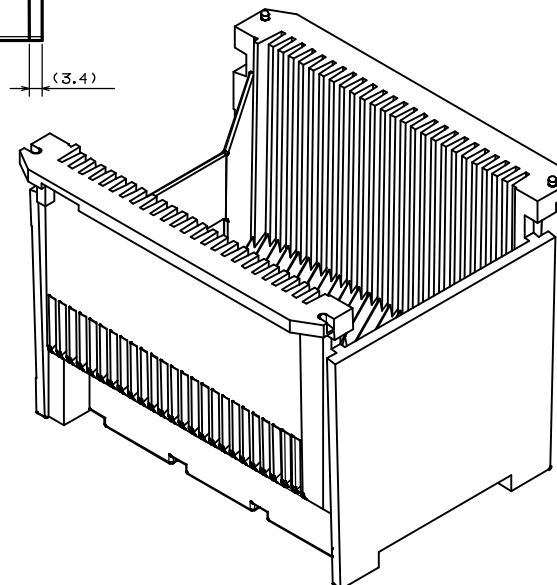


断面B-B



断面C-C

断面D-D



図面に記載されてある各寸法は、お客様の内部確認として利用して下さい。
EACH DIMENSION THAT IS MENTIONED ON A DRAWING SHOULD BE UTILIZED AS A CUSTOMER'S INTERNAL CONFIRMATION.

PRODUCT NUMBER	PRODUCT NAME
FB10A100	4 INCH CARRIER
3RD ANGLE PROJECTION	SCALE
NTS	DRAWING NUMBER
	F5Z0019H02