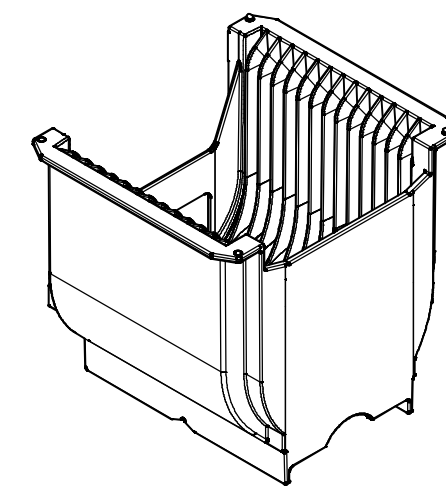
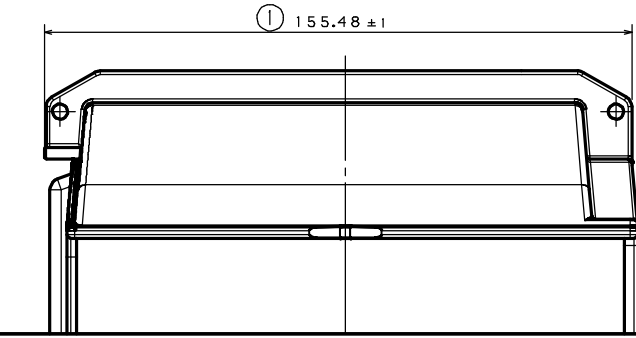
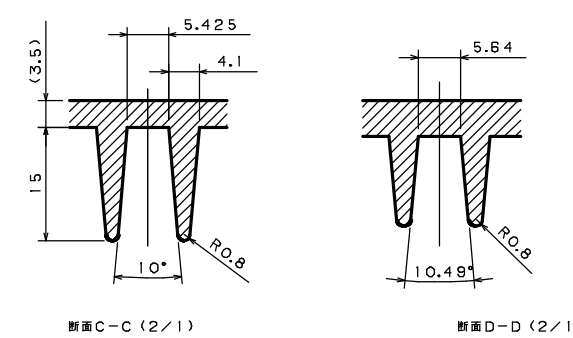
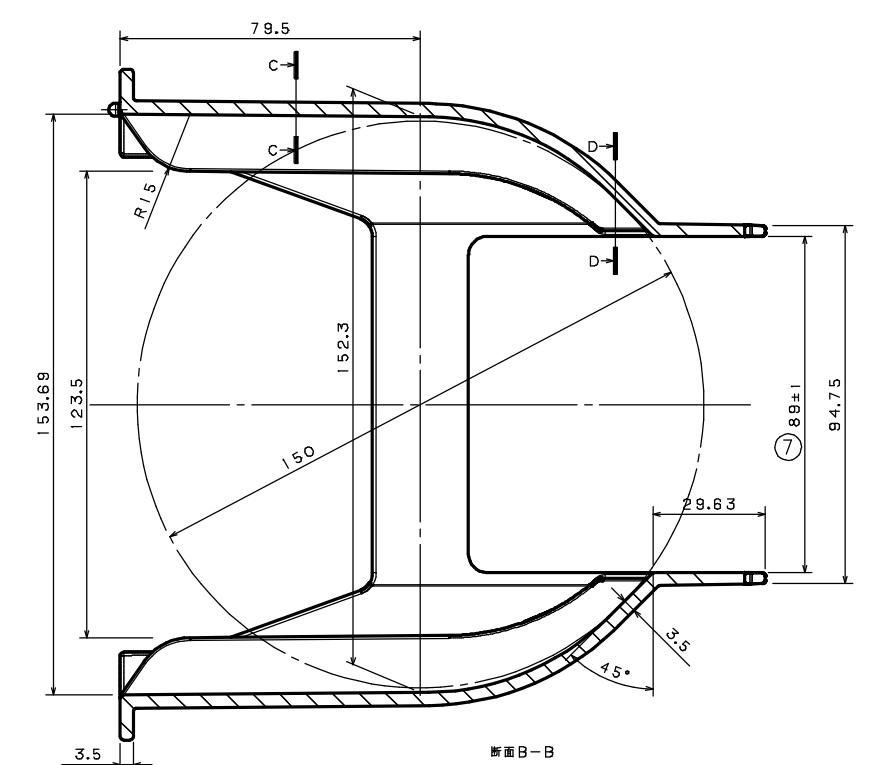
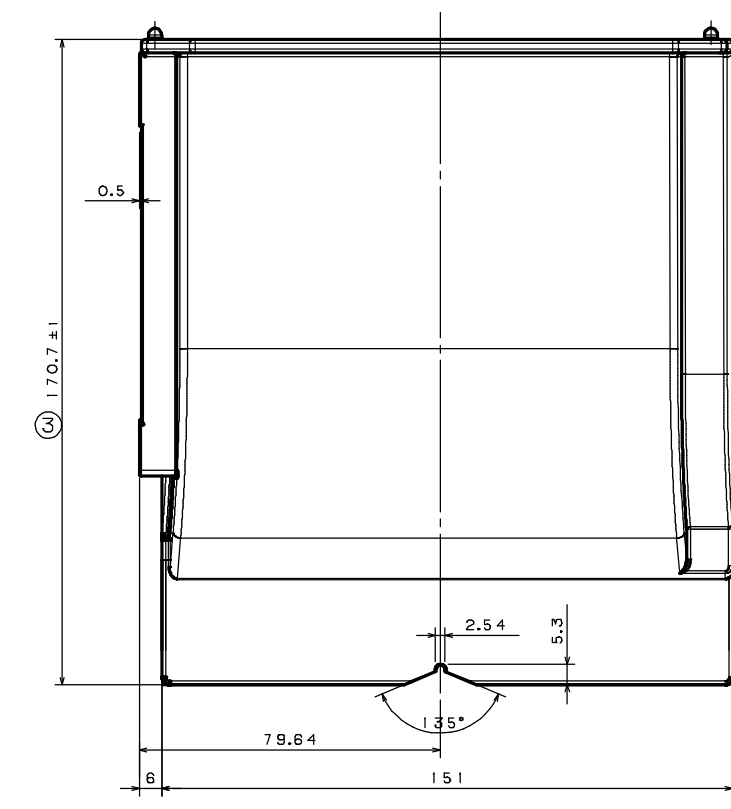
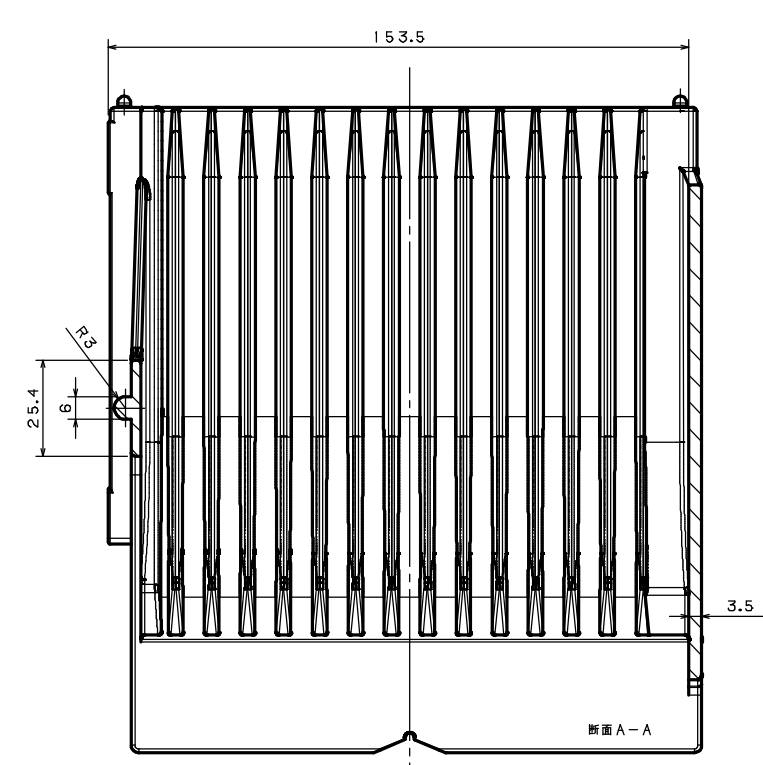
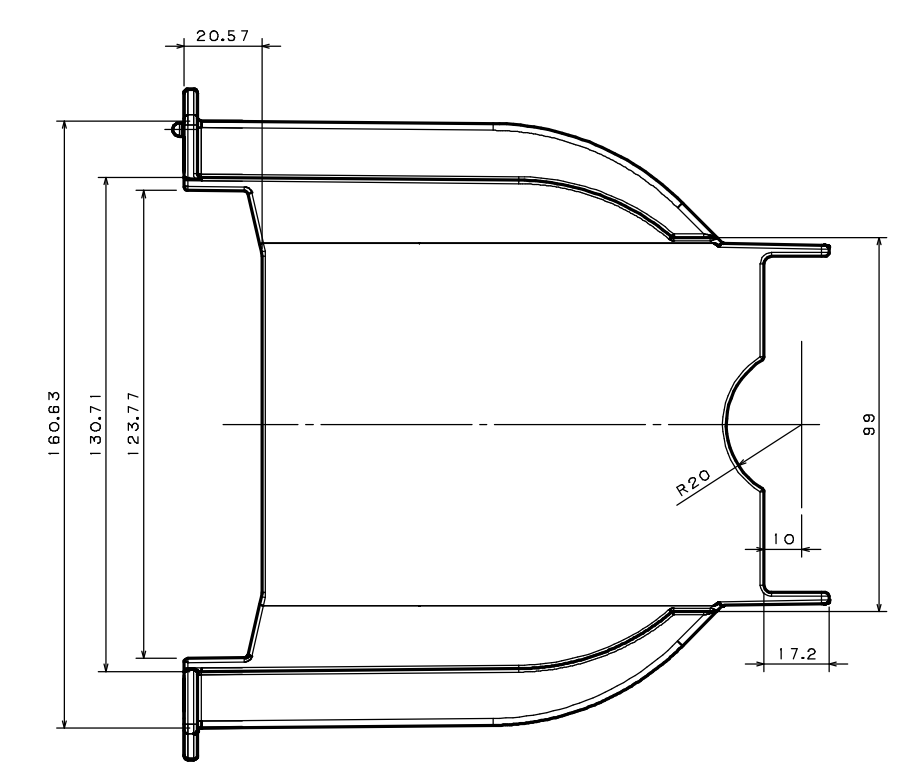
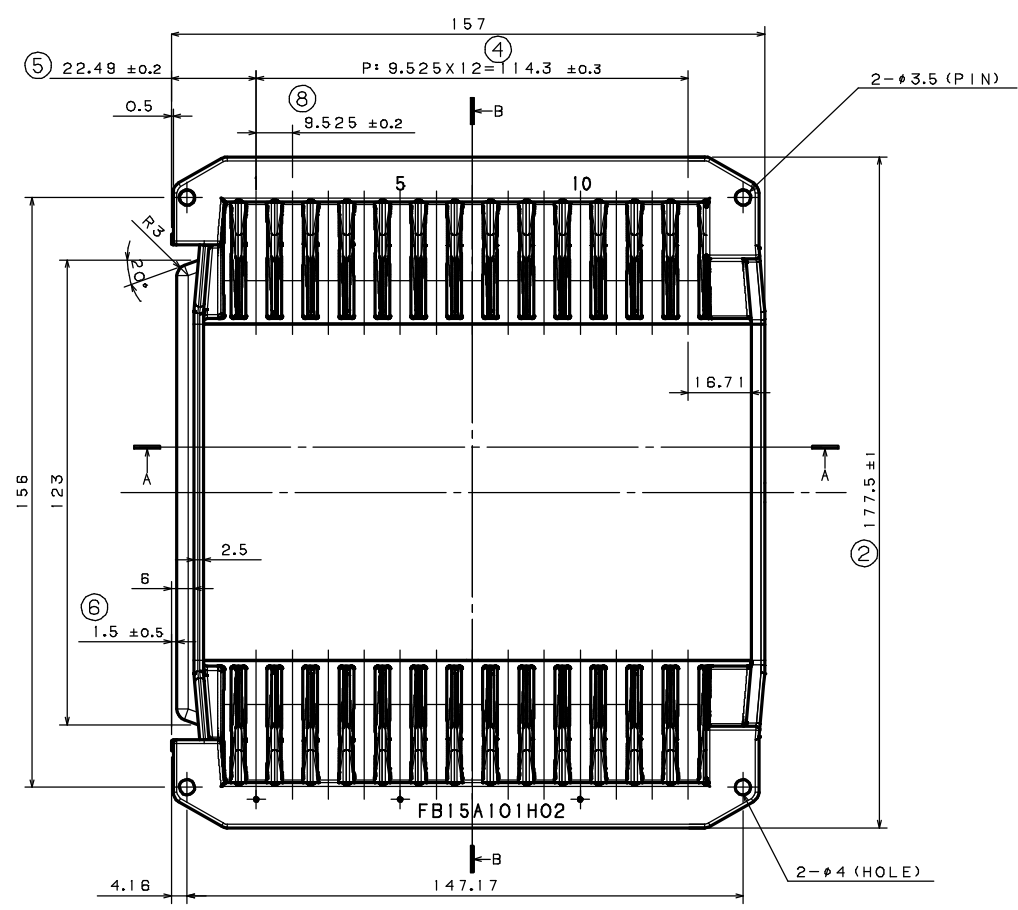
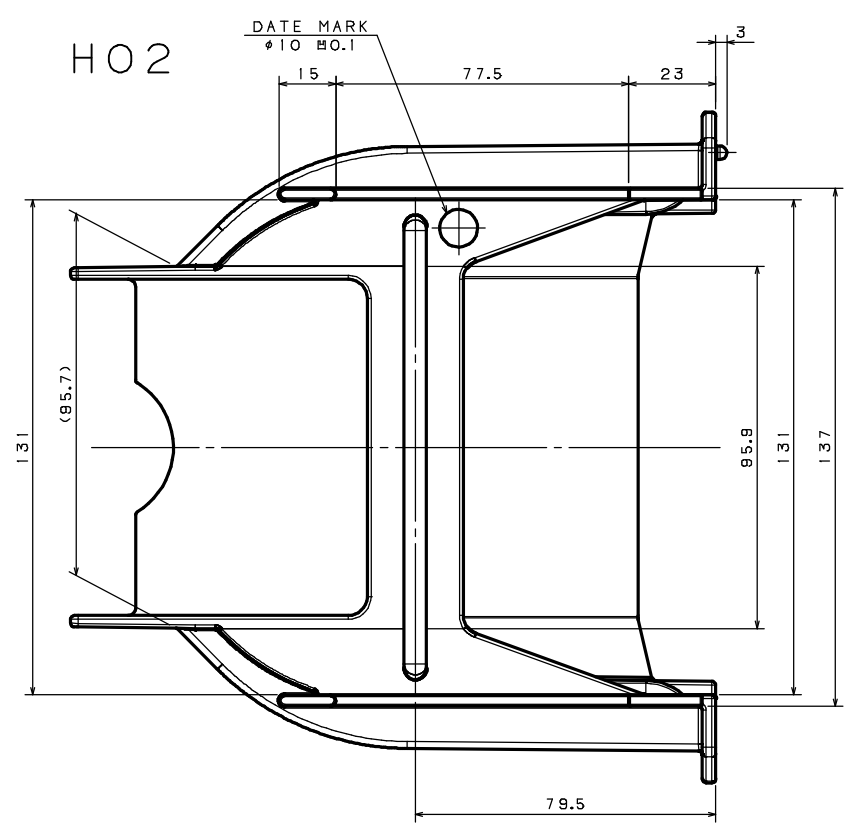


ITEM	MATERIAL	COLOR	REMARKS	ASSY NO
1	e-mateX FB-O431	BLACK		



図面に記載されてある各寸法は、お客様の内部確認として利用して下さい。
 EACH DIMENSION THAT IS MENTIONED ON A DRAWING SHOULD BE UTILIZED AS A CUSTOMER'S INTERNAL CONFIRMATION.

PRODUCT NUMBER	PRODUCT NAME
FB15A101	6 INCH BIPITCH CARRIER
3RD ANGLE PROJECTION	SCALE
1/1	DRAWING NUMBER
FSZ0016H02	