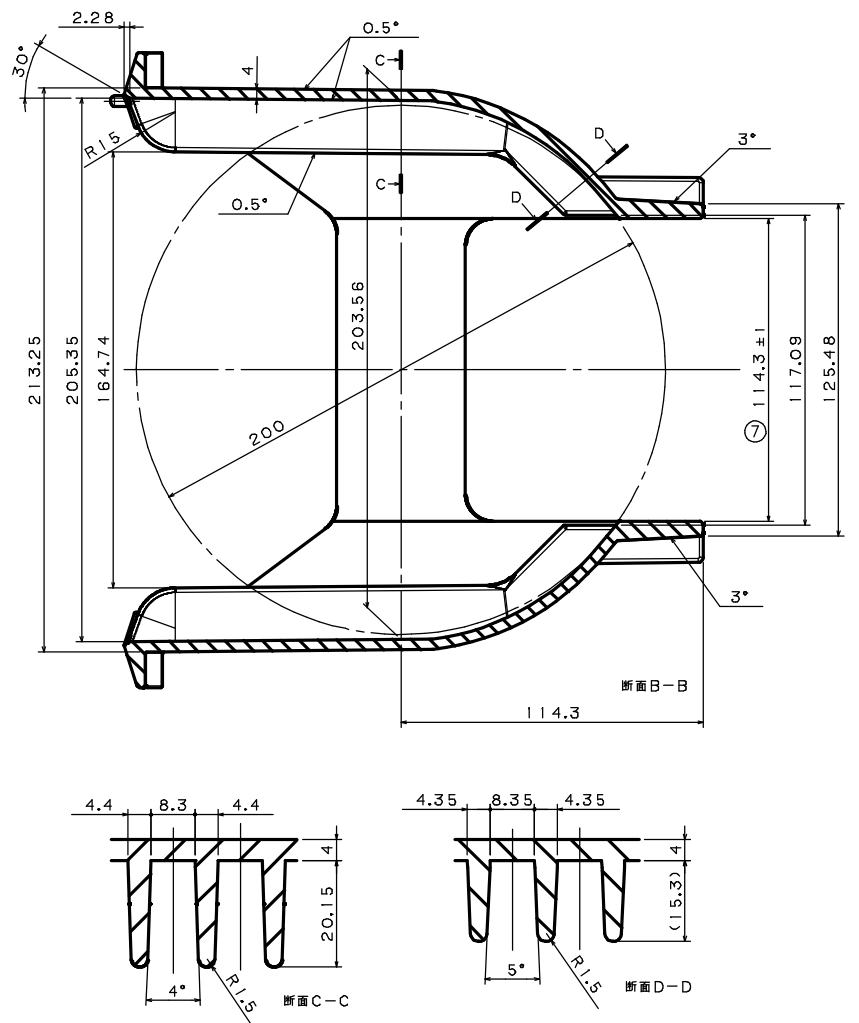
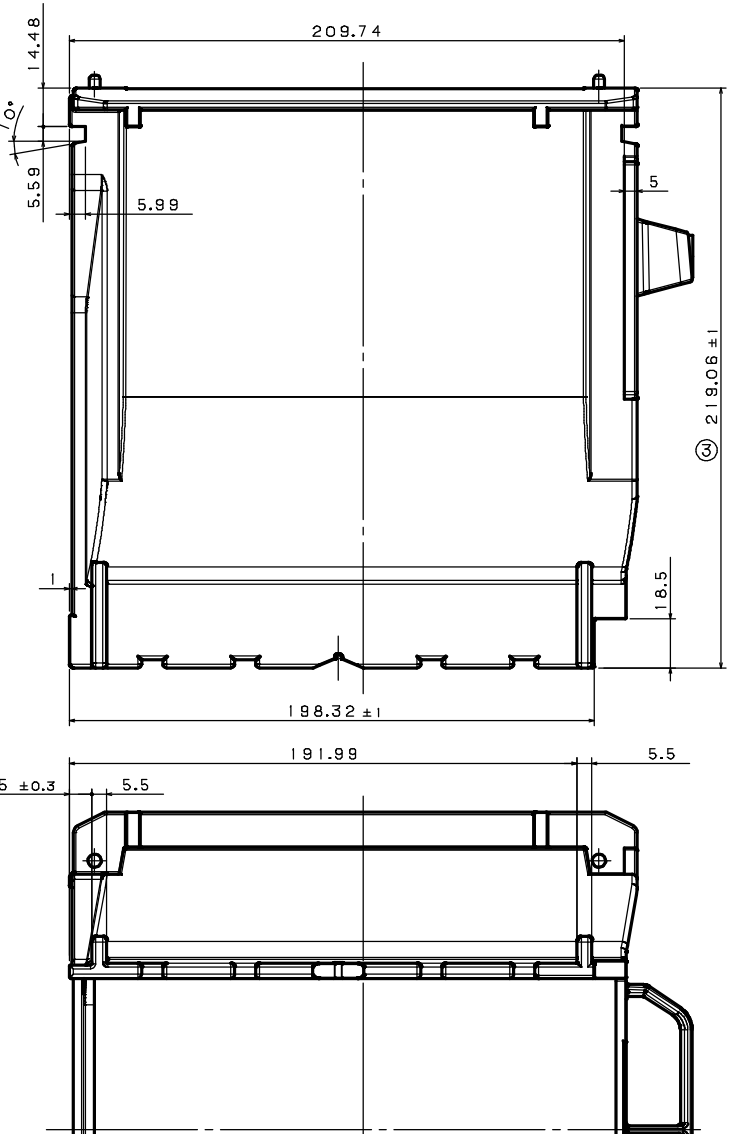
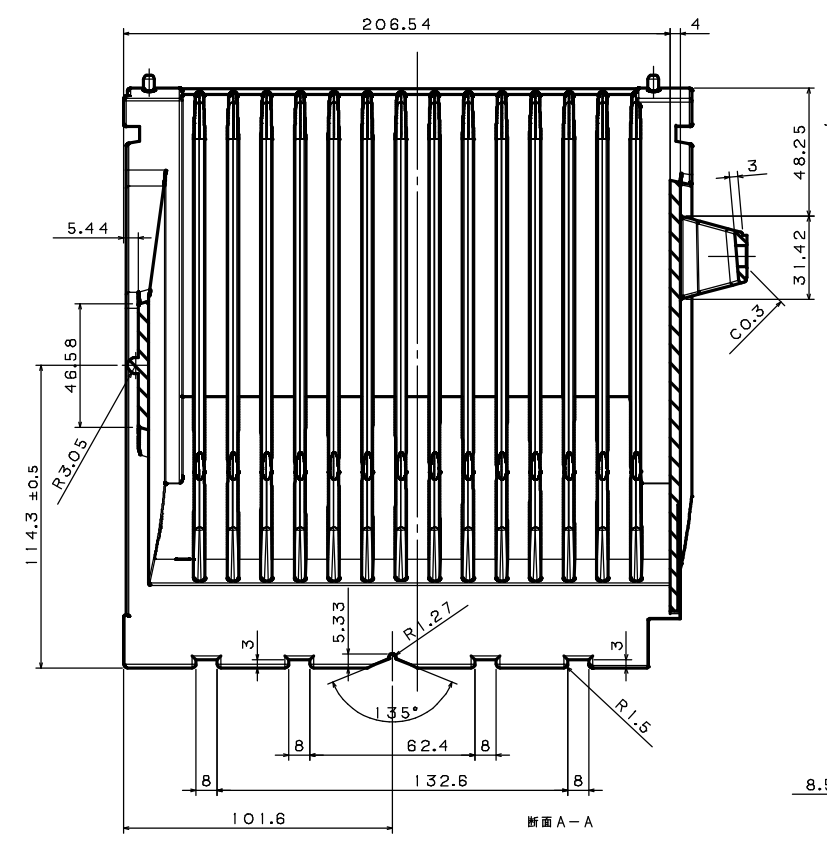
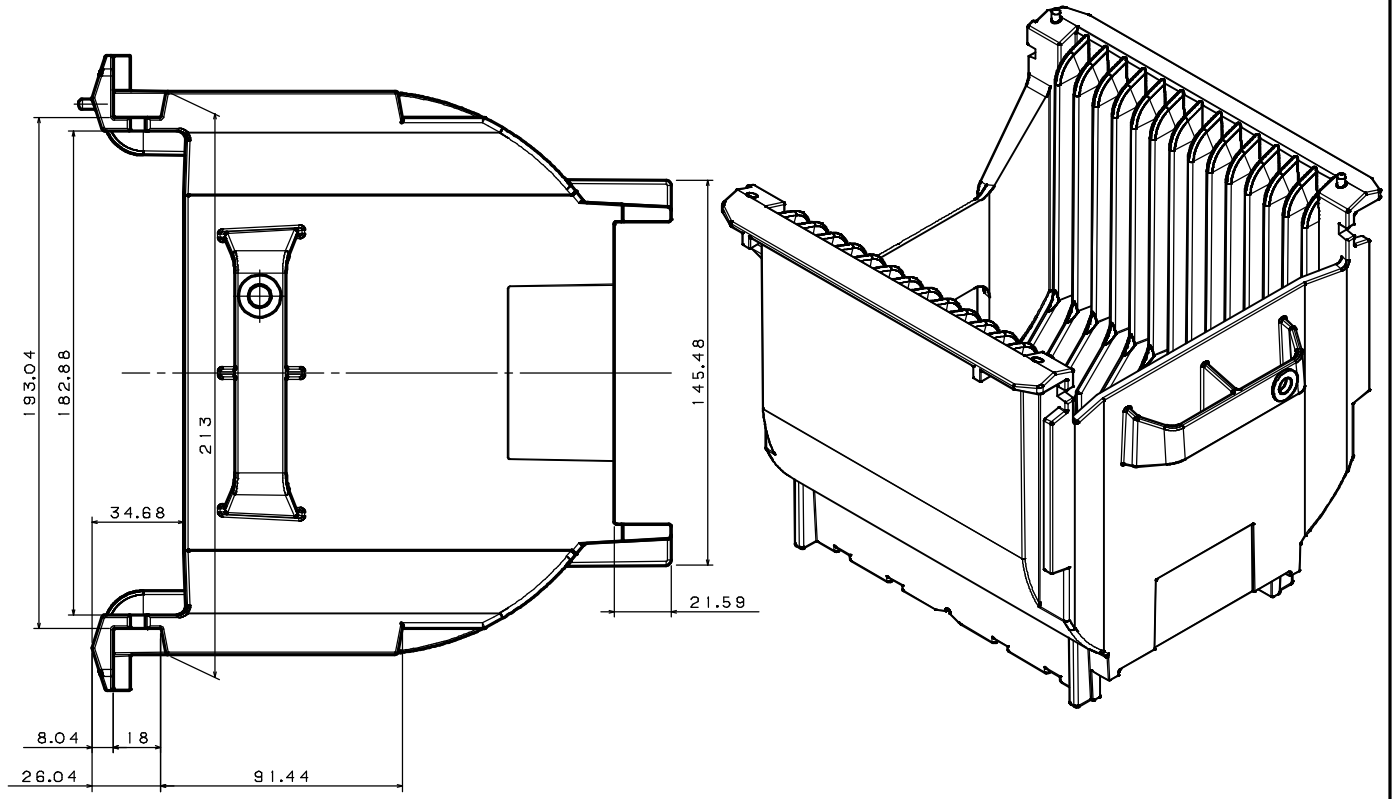
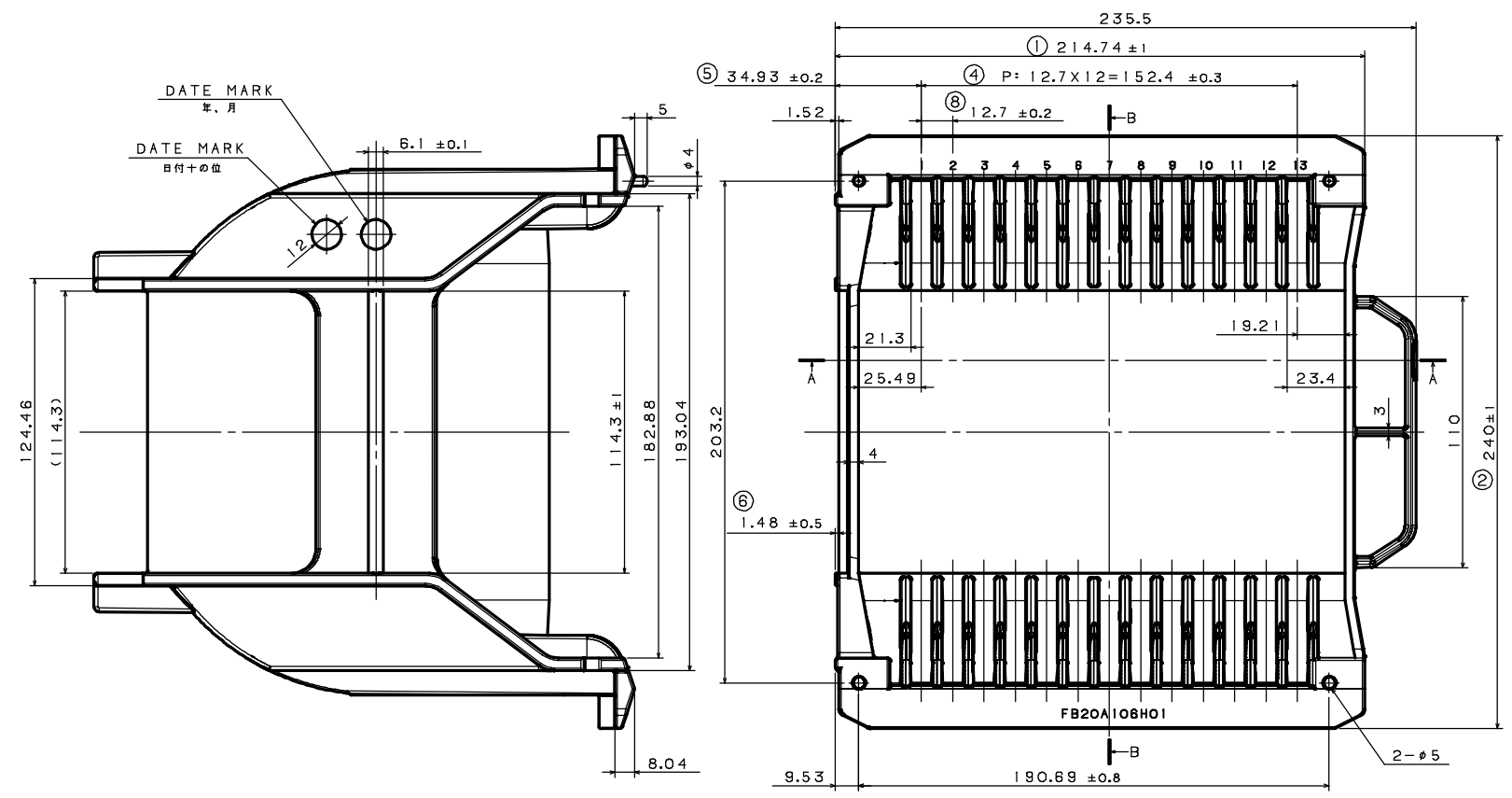


ITEM	MATERIAL	COLOR	REMARKS
1	e-mateX FB-0431	BLACK	



図面に記載されてある各寸法は、お客様の内部確認として利用して下さい。
EACH DIMENSION THAT IS MENTIONED ON A DRAWING SHOULD BE UTILIZED AS A CUSTOMER'S INTERNAL CONFIRMATION.

PRODUCT NUMBER	PRODUCT NAME	
FB20A106	8 INCH BI PITCH CARRIER	
PROJ. ANGLE	SCALE	DRAWING NUMBER
(1:2)		FSZ0021H01