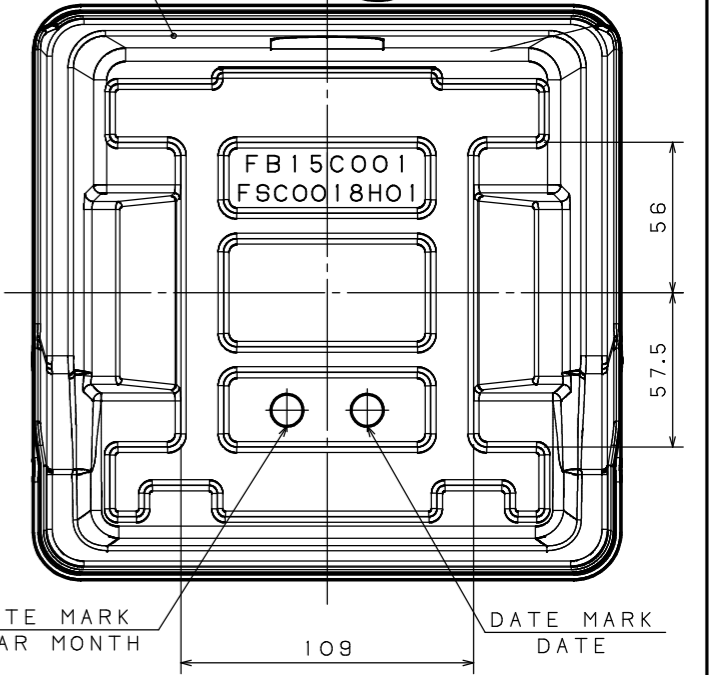
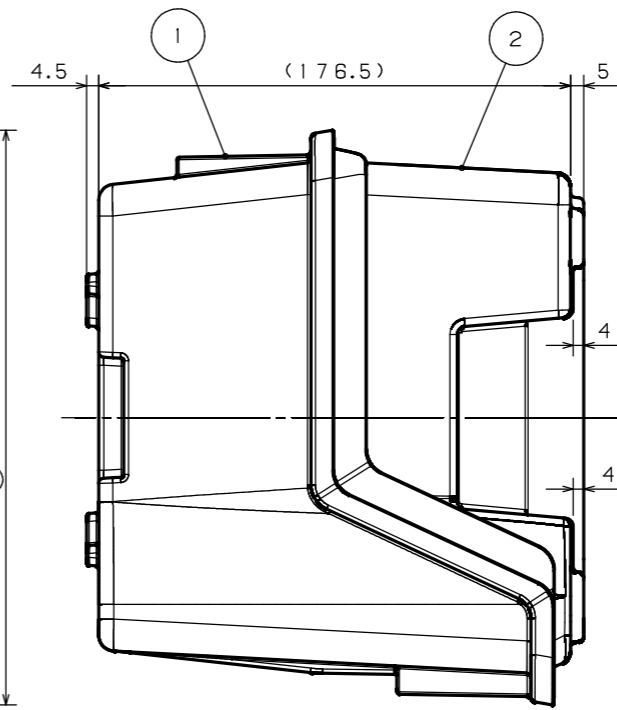
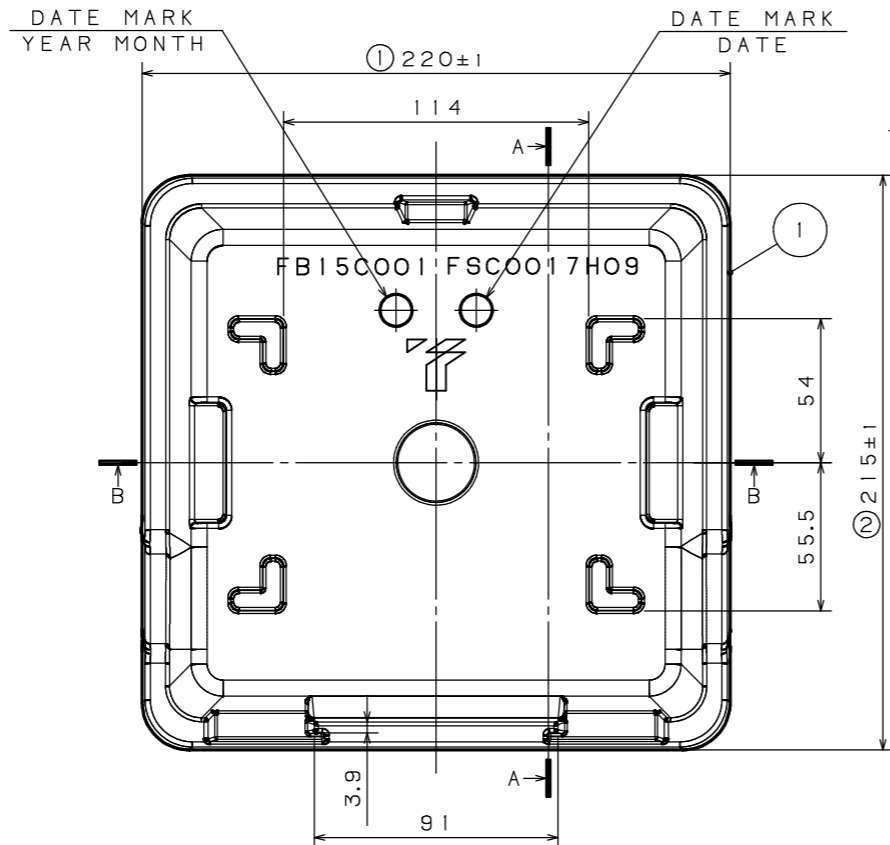
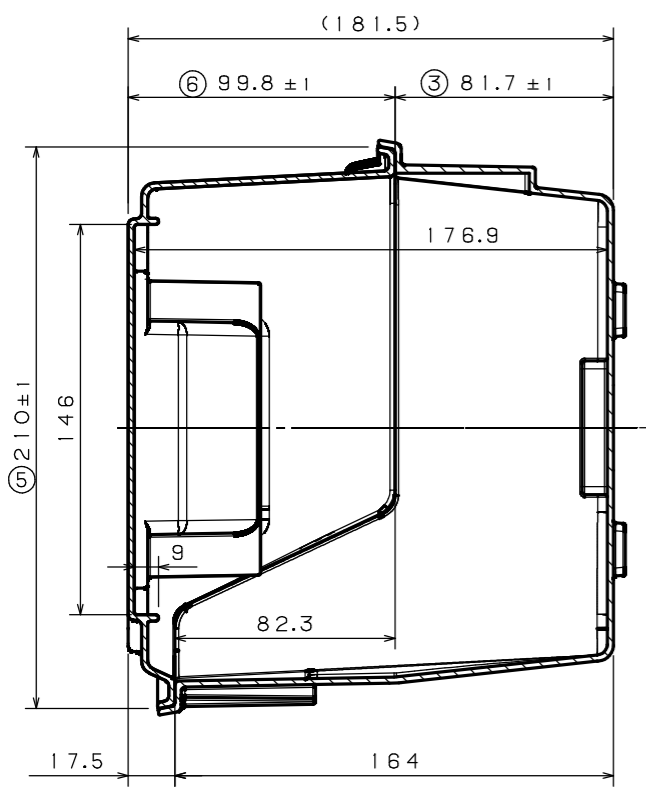
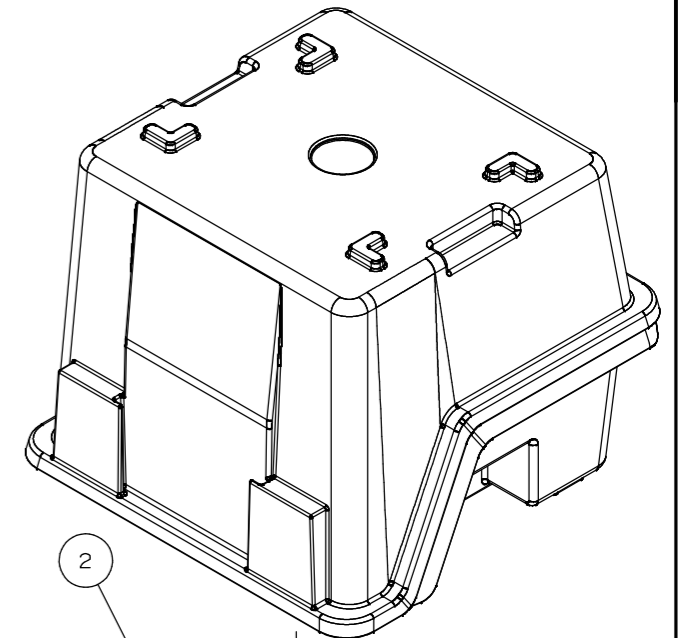
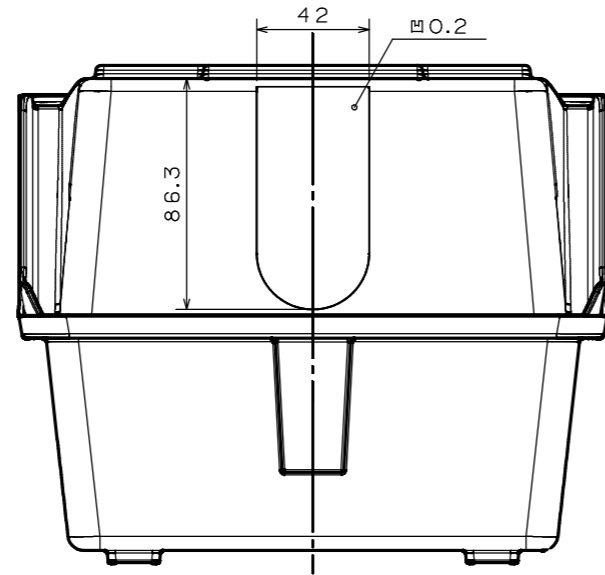
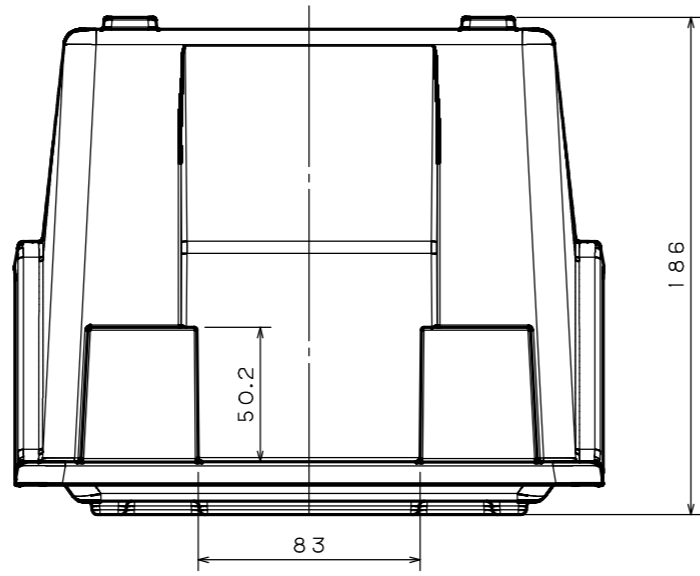
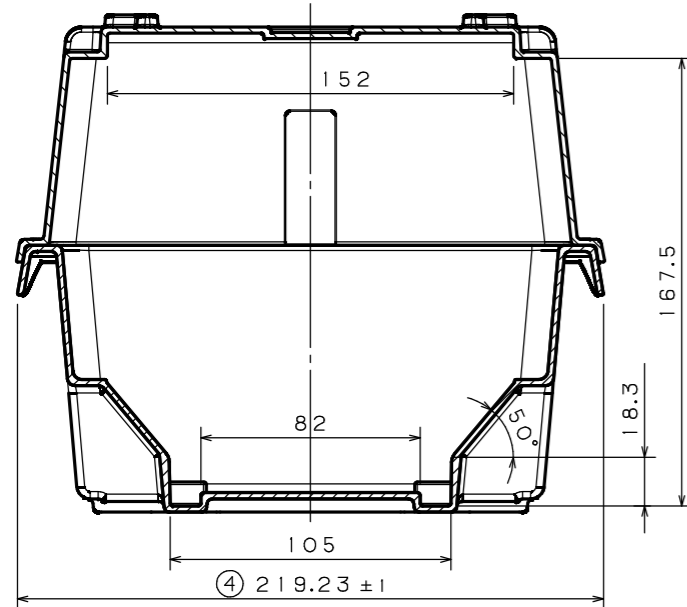


ITEM	COMPOSITION	MATERIAL	COLOR	REMARKS	ASSY NO
1	6 INCH CASE COVER	e-mateX FB-0215	CLEAR		1
2	6 INCH CASE BODY	e-mateX FB-0530	BLACK		1



断面A-A



断面B-B

図面に記載されてある各寸法は、お客様の内部確認として利用して下さい。  
 EACH DIMENSION THAT IS MENTIONED ON A DRAWING SHOULD BE UTILIZED AS A CUSTOMER'S INTERNAL CONFIRMATION.

PRODUCT NUMBER		PRODUCT NAME	
FB15CO01		6 INCH CASE ASSY	
3RD ANGLE PROJECTION	SCALE	DRAWING NUMBER	
	1/2	FSZ0011G09	