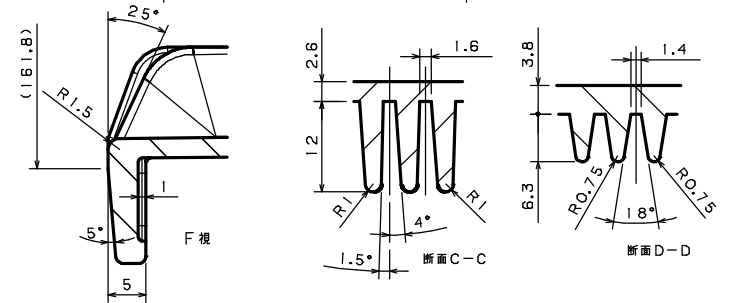
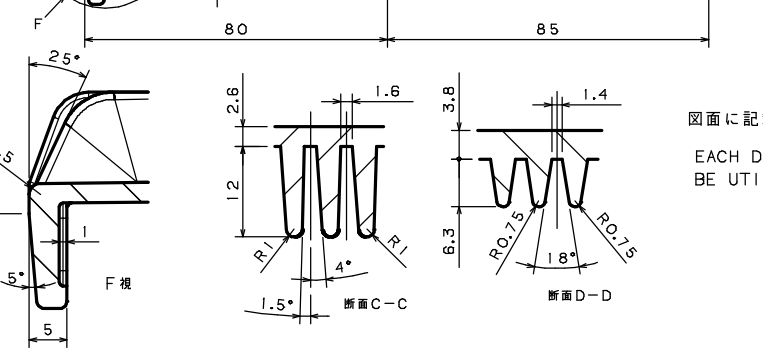
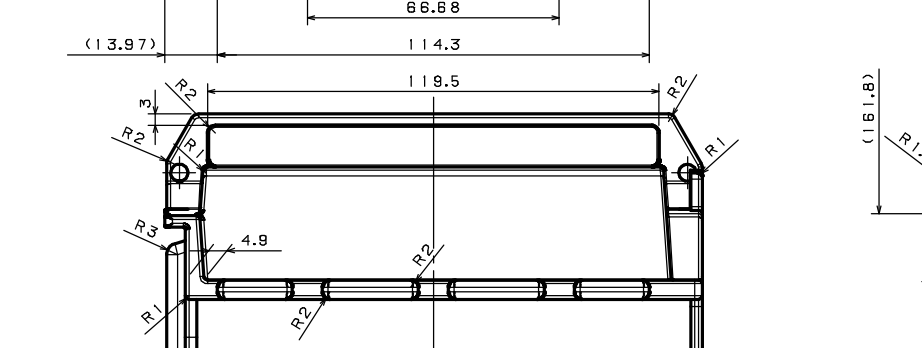
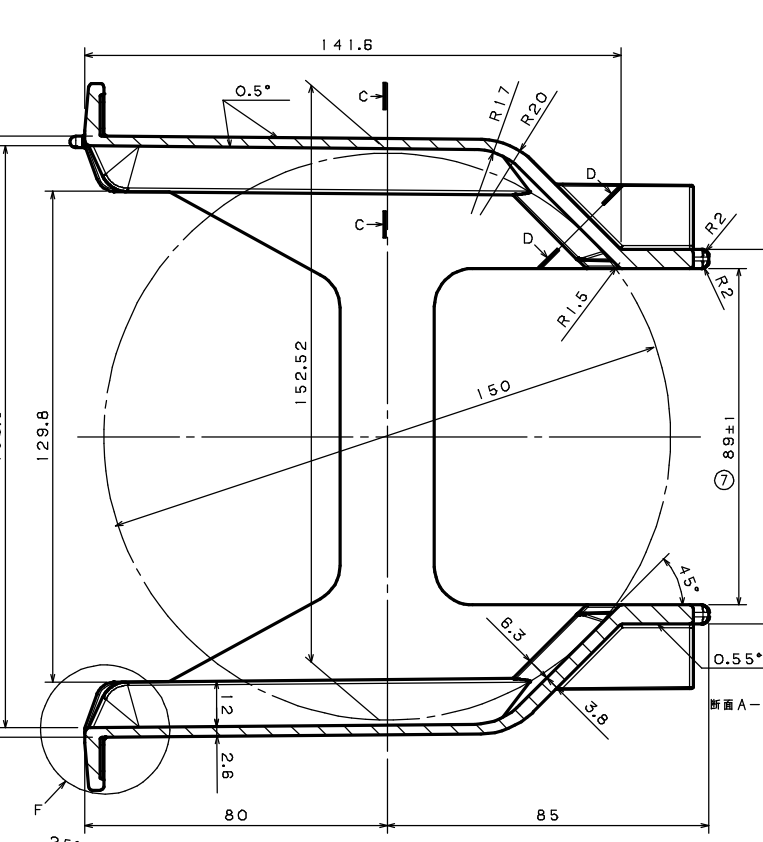
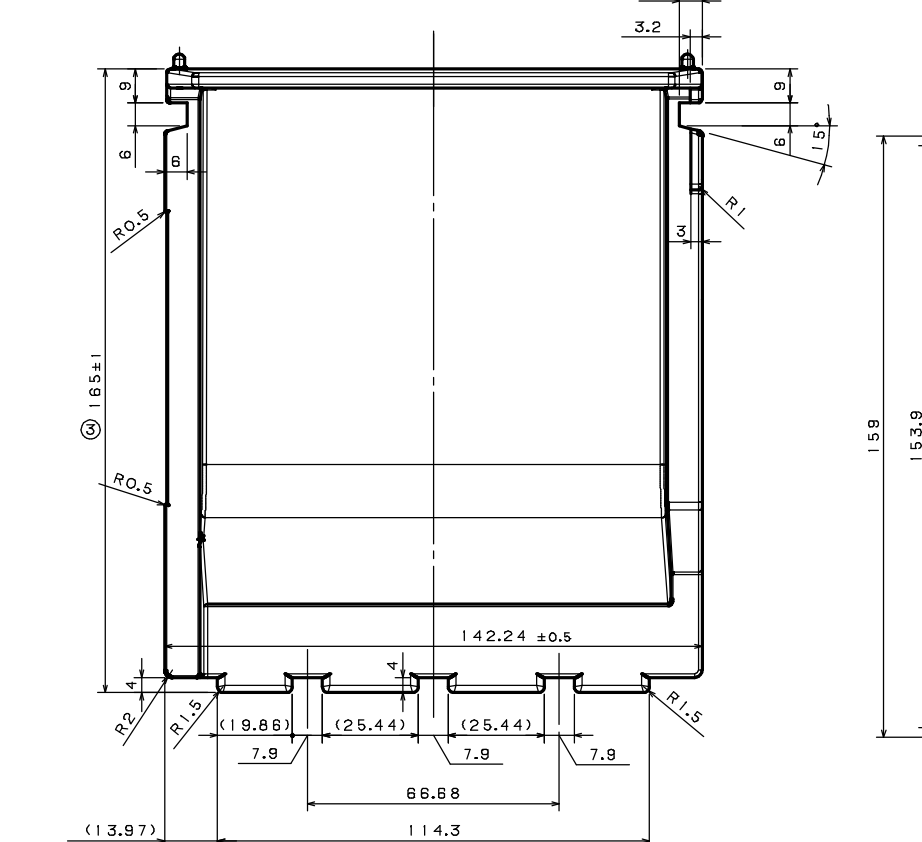
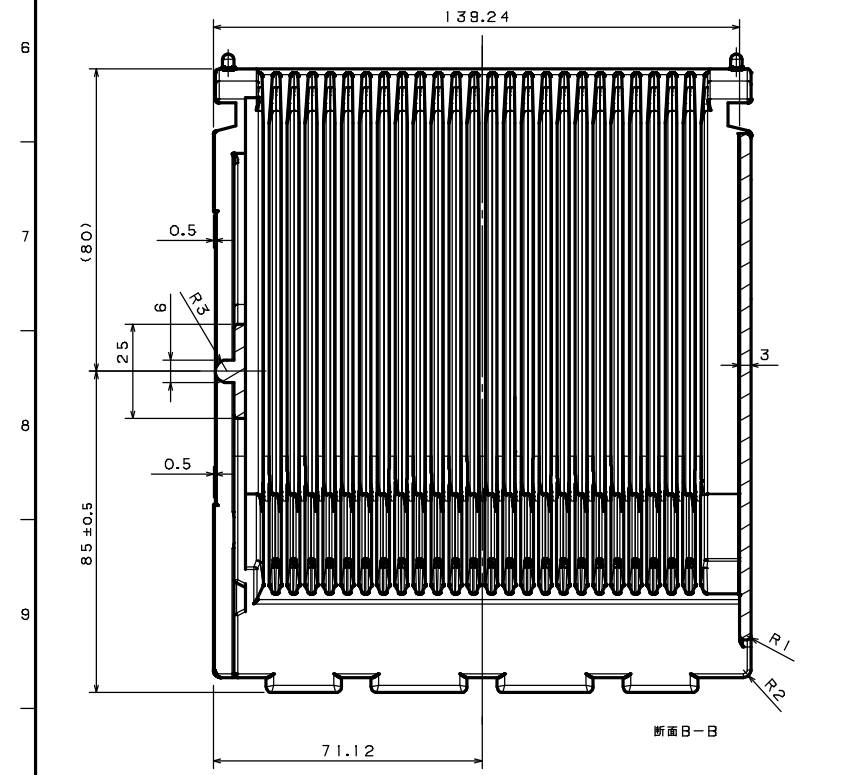
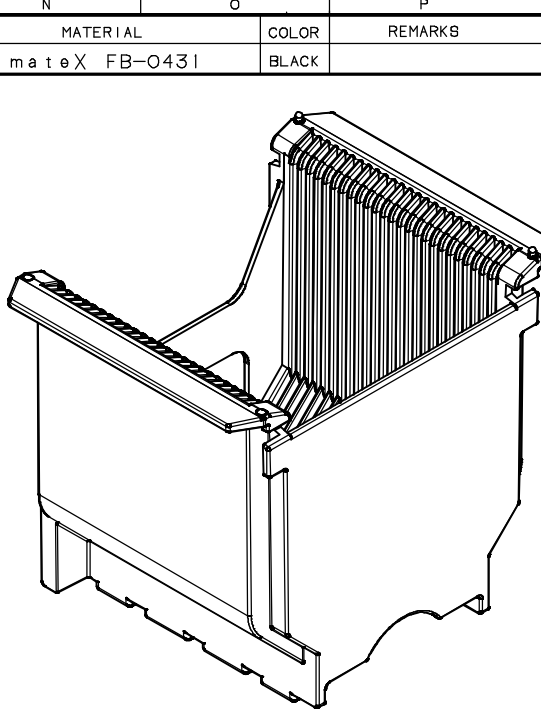
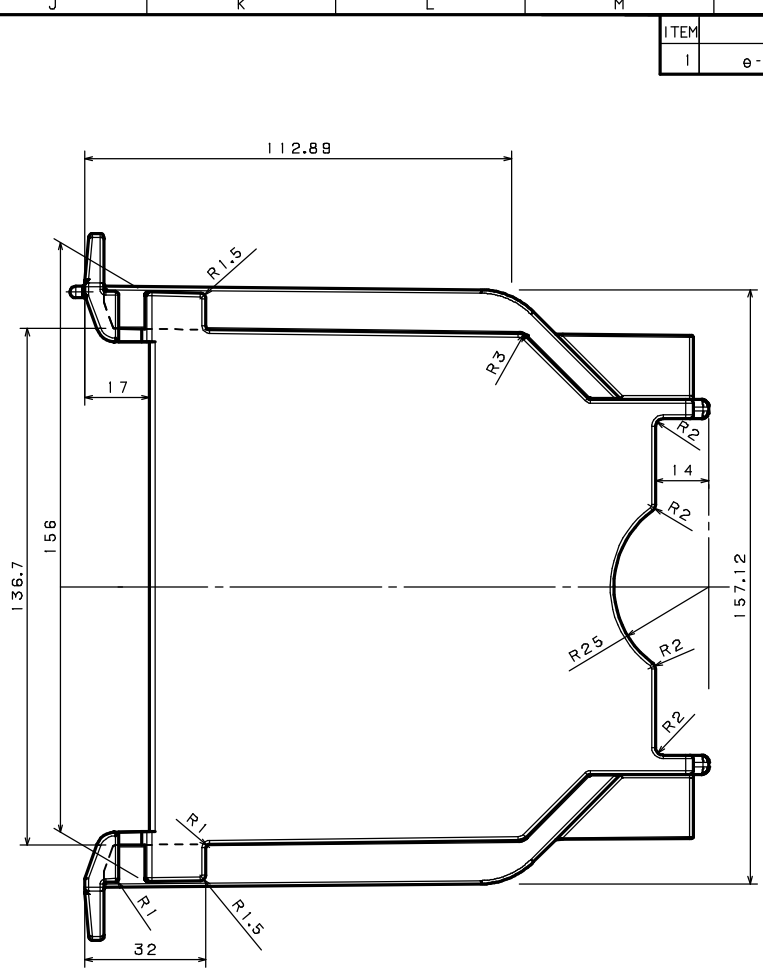
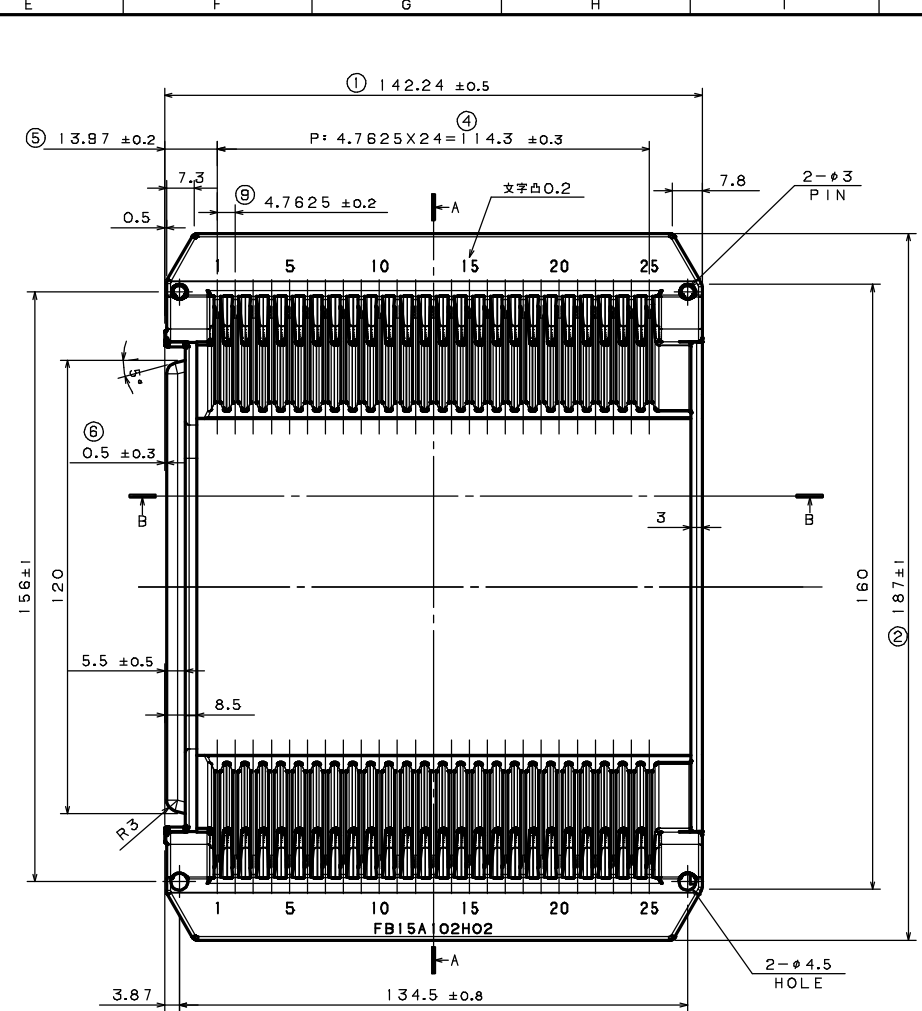
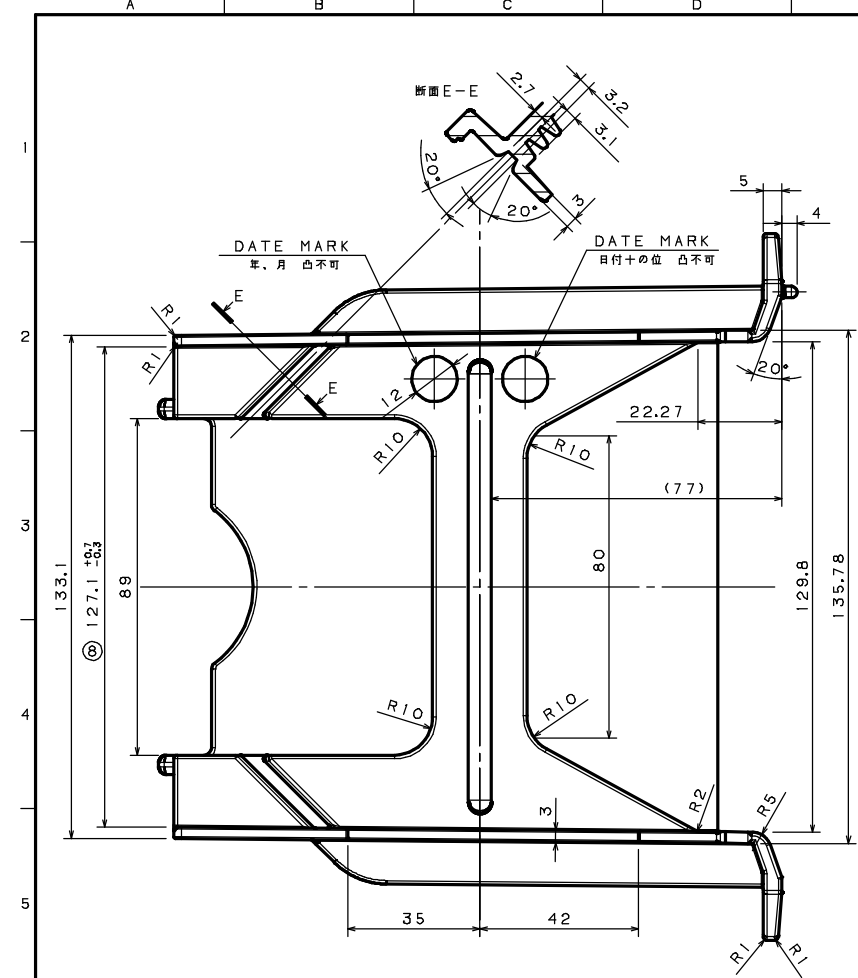


ITEM	MATERIAL	COLOR	REMARKS
1	e-mateX FB-0431	BLACK	



図面に記載されてある各寸法は、お客様の内部確認として利用して下さい。
EACH DIMENSION THAT IS MENTIONED ON A DRAWING SHOULD BE UTILIZED AS A CUSTOMER'S INTERNAL CONFIRMATION.

PRODUCT NUMBER	PRODUCT NAME
FB15A102	6 INCH CARRIER
3RD ANGLE PROJECTION	SCALE
1/1	DRAWING NUMBER
	FSZ0017H02