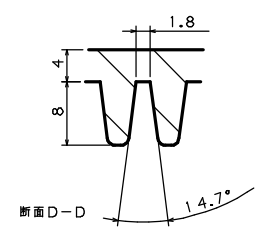
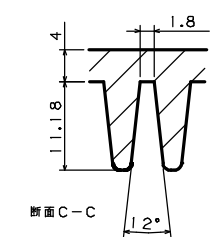
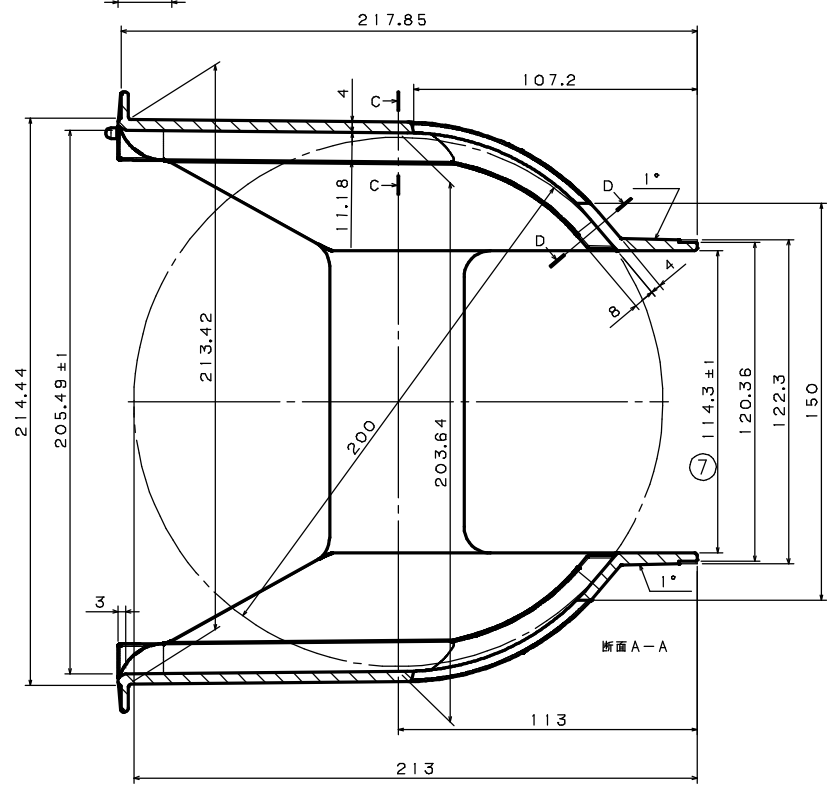
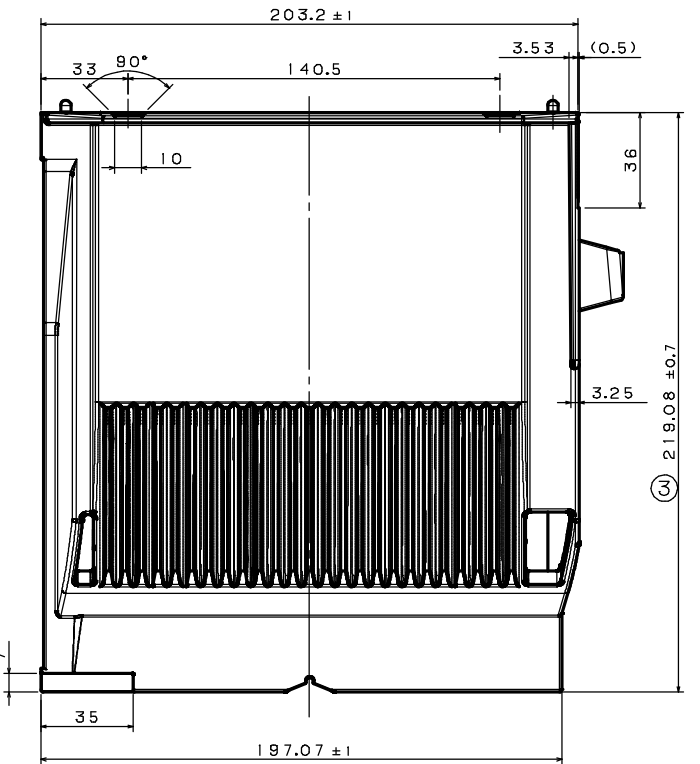
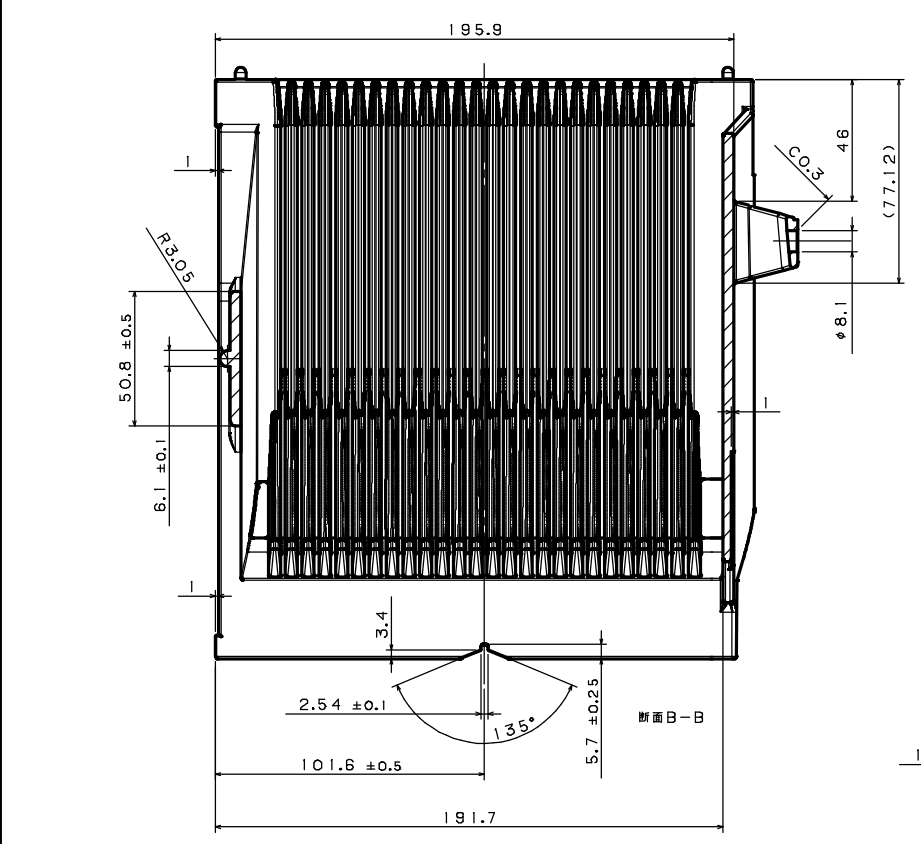
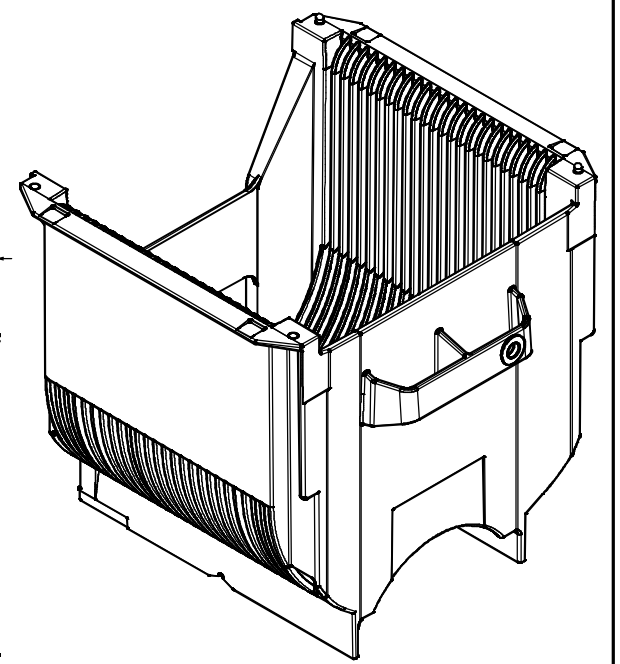
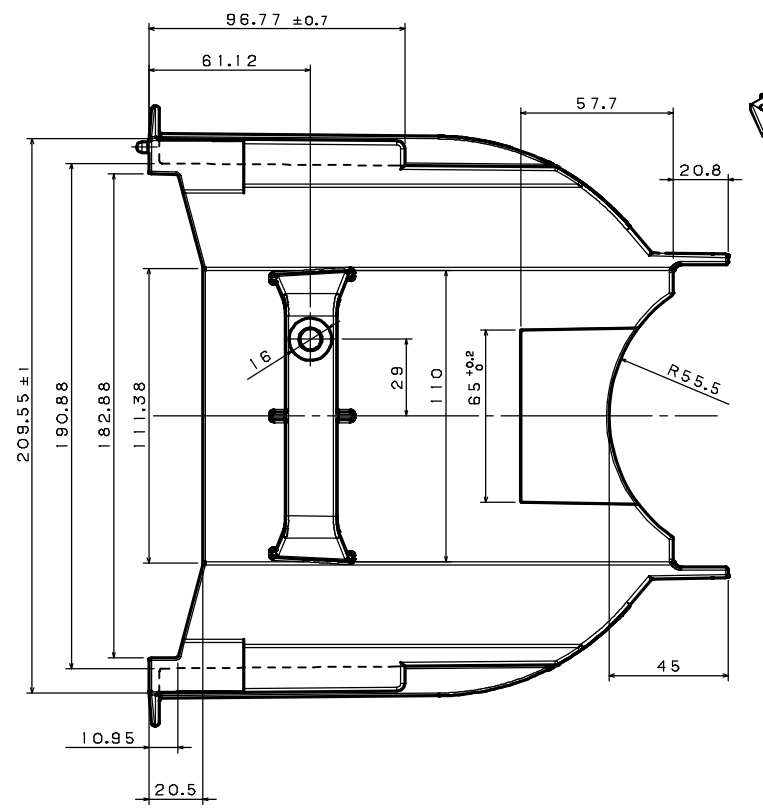
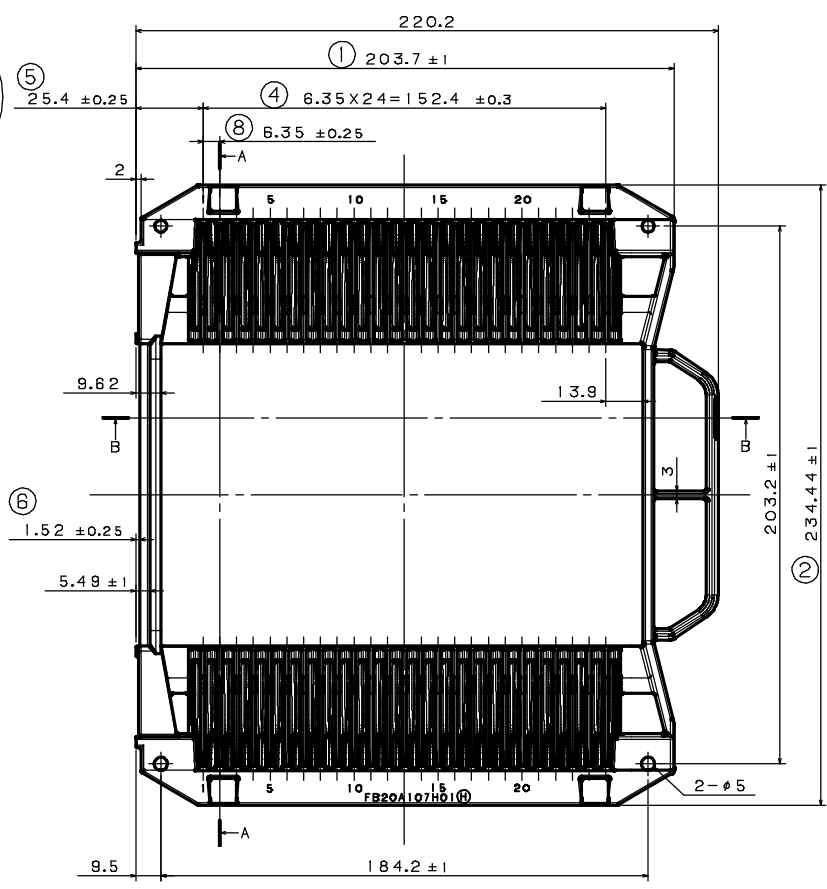
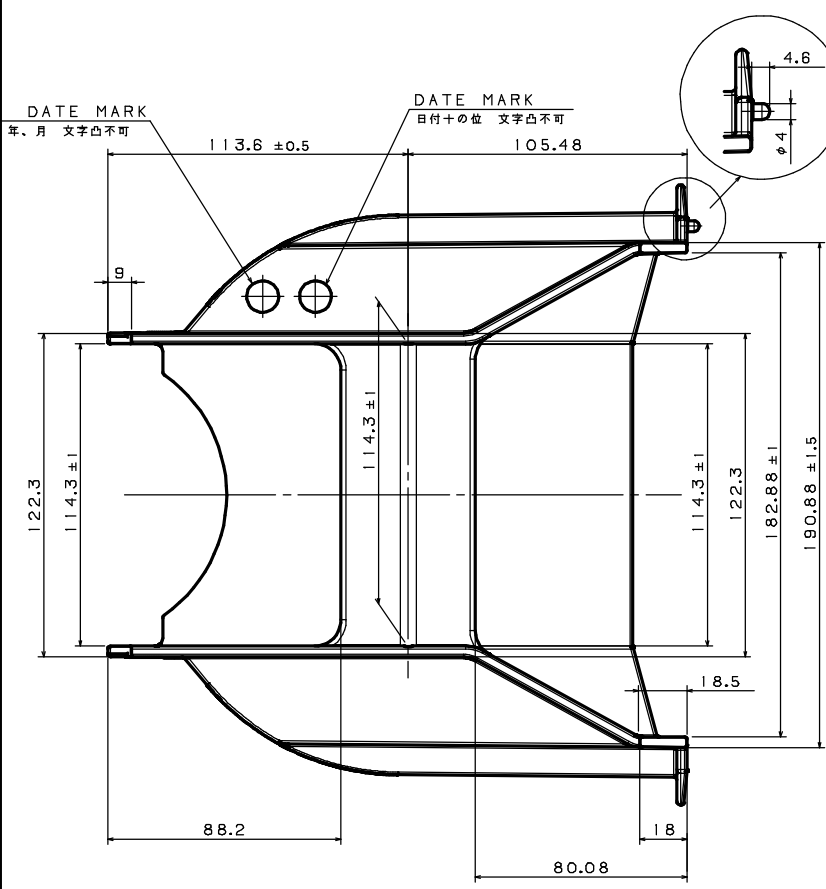


ITEM	MATERIAL	COLOR	REMARKS
1	FB-0432	BLACK	



図面に記載されてある各寸法は、お客様の内部確認として利用して下さい。  
EACH DIMENSION THAT IS MENTIONED ON A DRAWING SHOULD BE UTILIZED AS A CUSTOMER'S INTERNAL CONFIRMATION.

PRODUCT NUMBER	PRODUCT NAME
FB20A107	8 INCH CARRIER
PRO. ANGLE PROJECTION	SCALE
1/30	1/30
DRAWING NUMBER	
FBZ0025H01	