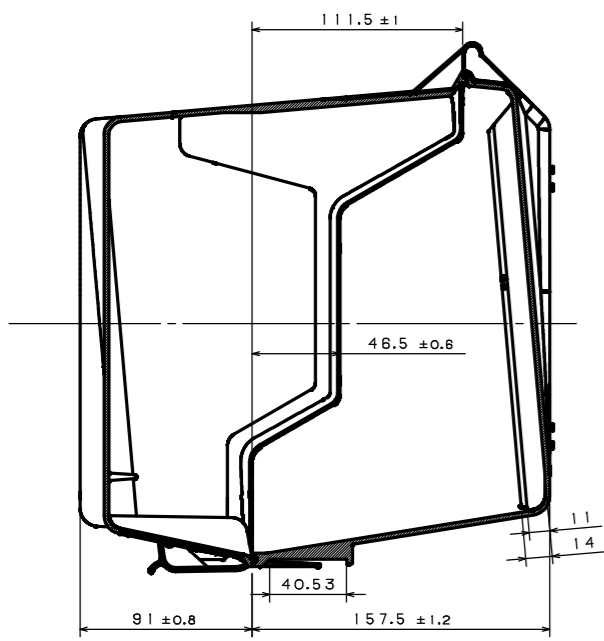
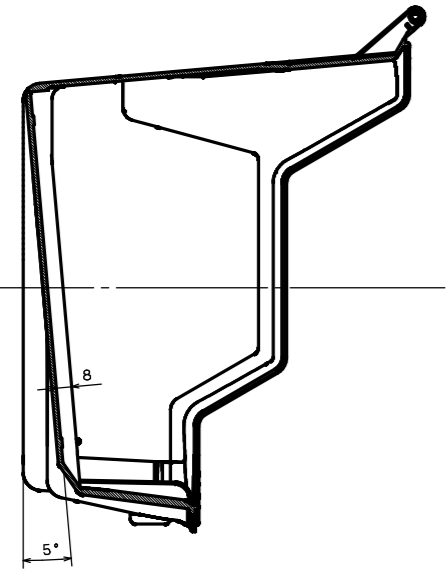
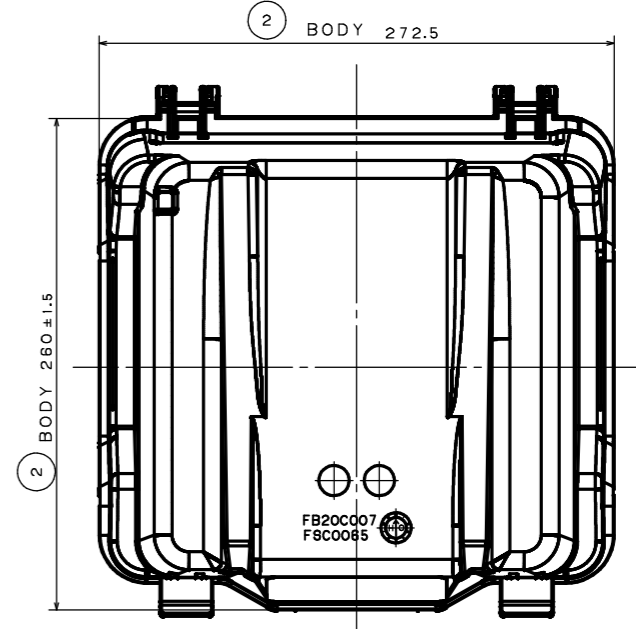
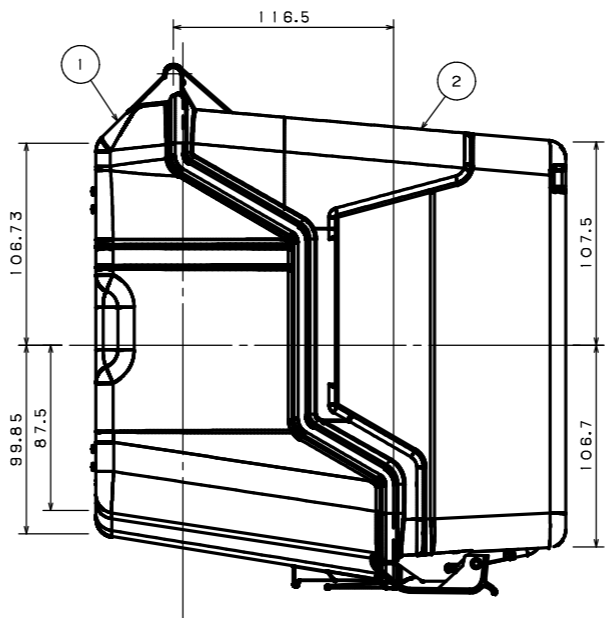
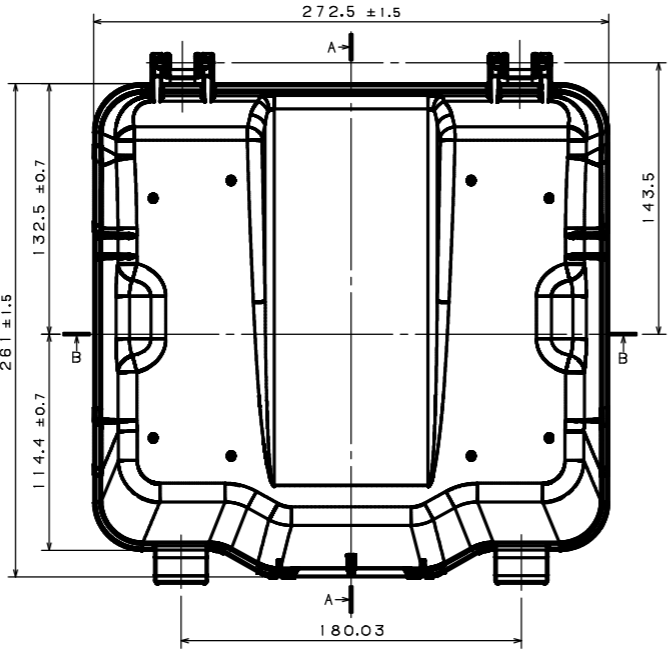
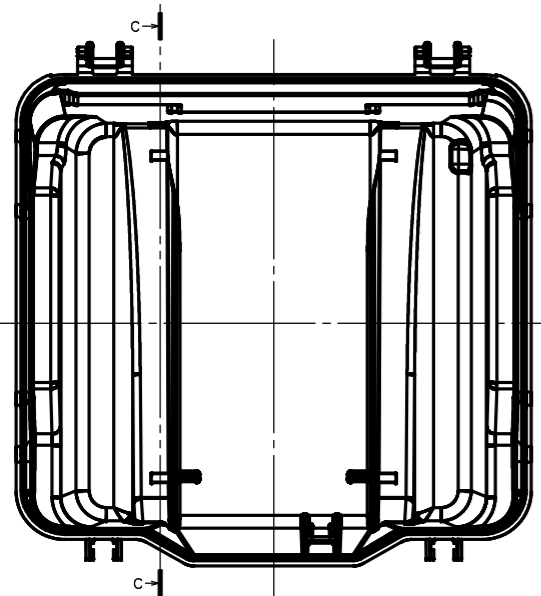
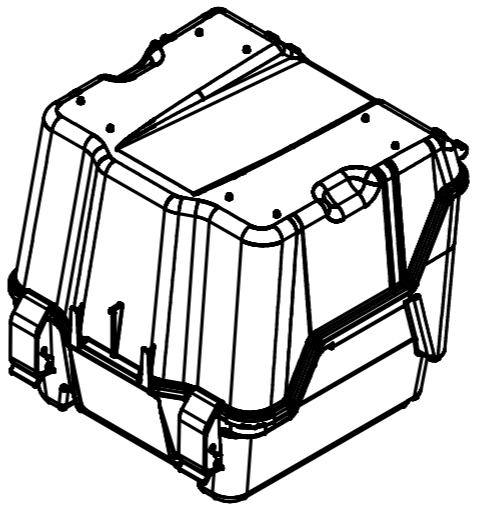
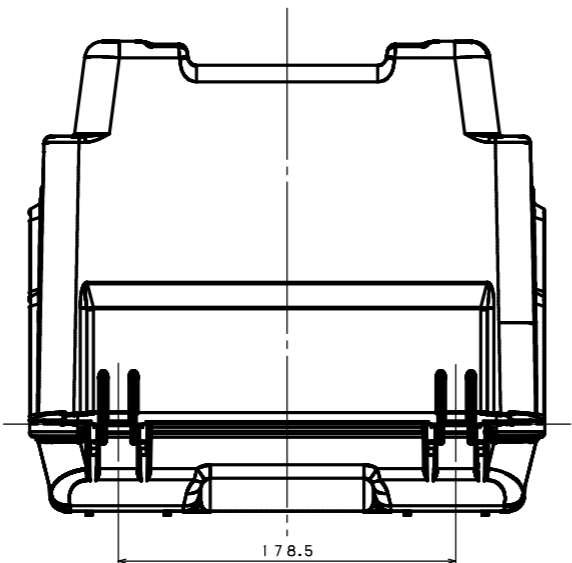


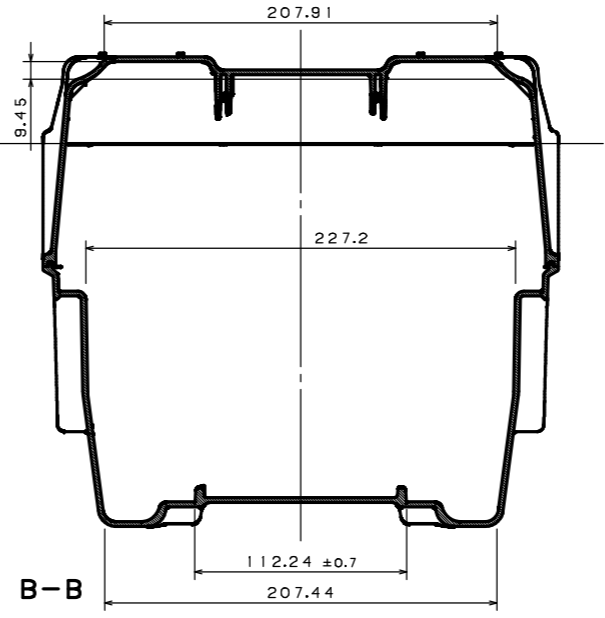
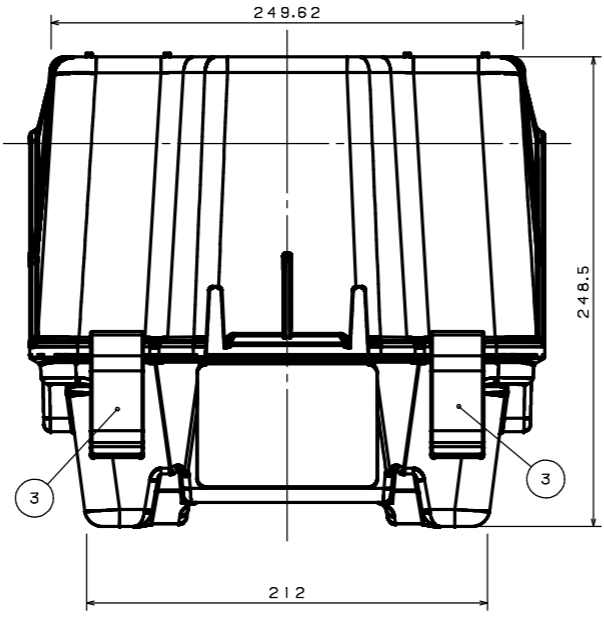
ITEM	COMPOSITION	MATERIAL	COLOR	REMARKS	ASSY NO
1	8 INCH CASE COVER	e-mateX FB-0215	CLEAR		1
2	8 INCH CASE BODY	e-mateX FB-0431	BLACK		1
3	CLAMP LOCK-B	e-mateX FB-0431	BLACK		1



A-A



C-C



B-B

図面に記載されてある各寸法は、お客様の内部確認として利用して下さい。
EACH DIMENSION THAT IS MENTIONED ON A DRAWING SHOULD BE UTILIZED AS A CUSTOMER'S INTERNAL CONFIRMATION.

PRODUCT NUMBER	PRODUCT NAME
FB20C007	8 INCH CASE ASSY
3RD ANGLE PROJECTION	SCALE
	1/2
DRAWING NUMBER	
FSZ0037G02	